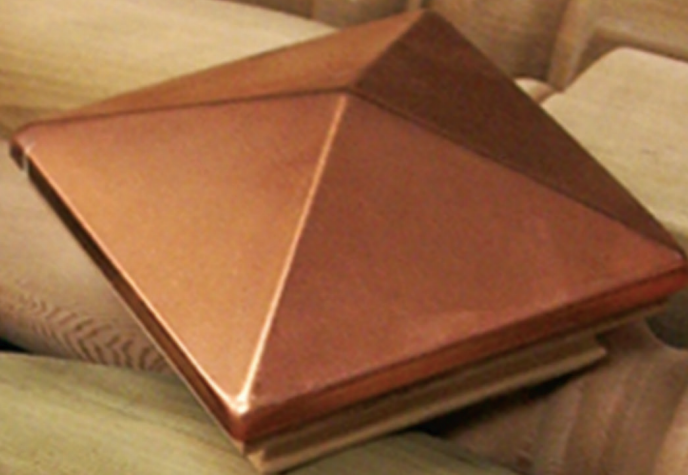


Mr. Spindle Catalog



Please request a
Current Pricelist

Call:
1.800.487.9663

Email:
info@MrSpindle.com

Table of Contents

Welcome...

Thanks for taking the time to check out our outdoor decking component catalog.

We have been in the cedar and redwood business since 1976.

Our plant is located in Fargo, North Dakota.

As a small, family owned business, we work very hard to have our products be the "benchmark for quality" in the turning industry.

Please feel free to call our 800 line if you have any questions or comments.

*The folks at Mr. Spindle...
Turning the world one spindle at a time!*



4" Finials & Ball Tops
Pages: 1-3



6" & Larger Finials & Ball Tops
Pages: 4-5



4" Fence & Deck Post Caps
Pages: 6-7



6" & Larger Fence & Deck Post Caps
Pages: 8-9



Balusters
Page: 18



Porch Accent Spindles
Page: 10



2x2 & 2x3 Spindles & Palings
Pages: 11-12



3x3 Spindles & Palings
Pages: 13-15



4x4 Spindles & Palings
Pages: 16-18



6x6 Spindles & Palings
Pages: 19-21



4x4 Newels & Decos
Page: 22



6x6 Newels & Decos
Page: 23



Porch Posts & Columns
Pages: 24-25



Handrails
Pages: 26-28



"Handyman" Kits
Page: 9



Quatro Posts
Page: 25



Picket Fence
Page: 18

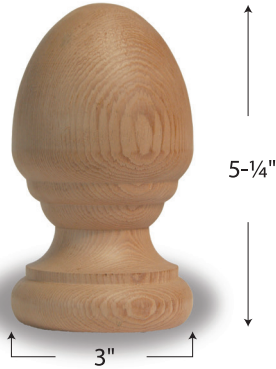
4" Finials & Ball Tops

Acorn Finial with Rings – 3"



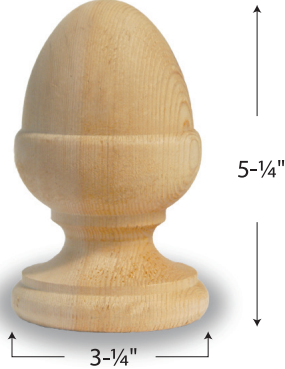
Height: 4-1/2"
Base Width: 2-1/4"
Treated: TSA4

Acorn Finial with Rings – 4"



Height: 5-1/4"
Base Width: 3"
Cedar: FCAF4R

Acorn Finial – 4"



Height: 5-1/4"
Base Width: 3-1/4"
Cedar: FCAF4, Treated: TAF4, IPE: IAF4,
Redwood: RWAF4

Baltimore Finial – 4"



Height: 8-1/2"
Base Width: 2-1/2"
Cedar: FCBM4, Treated: TBM4

Boise Ball Finial – 4"



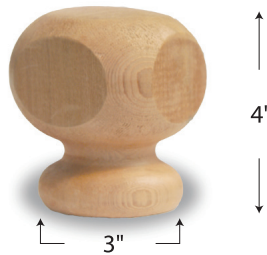
Height: 4-5/8"
Base Width: 3"
Cedar: FCCB4

Colonial Ball Finial – 4"



Height: 6-3/4"
Base Width: 3-1/8"
Cedar: FCCL4, Redwood: RWFL4

Contemporary Finial – 4"



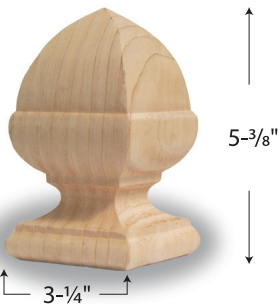
Height: 4"
Base Width: 3"
Cedar: FCCF4, Treated: TCF4,
Redwood: RWFCT4

Crown Finial – 4"



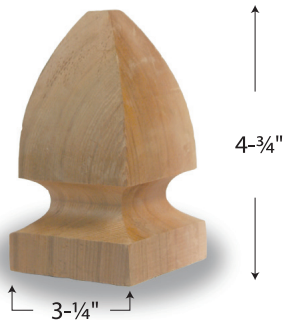
Height: 6"
Base Width: 2-7/8"
Cedar: FCCN4, Treated: TCN4

French Acorn Finial – 4"



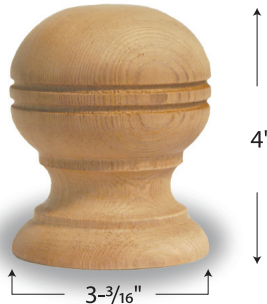
Height: 5-3/8"
Base Width: 3-1/4"
Cedar: FCFA4, IPE: IFA4

French Gothic Finial – 4"



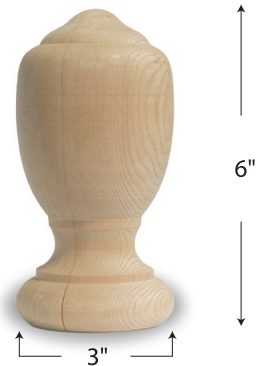
Height: 4-3/4"
Base Width: 3-1/4"
Cedar: FCFG4, Treated: TFG4

Globe Finial – 4"



Height: 4"
Base Width: 3-3/16"
Cedar: FCGF4

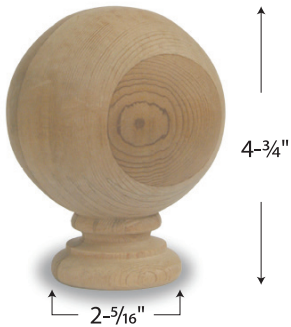
Jamestown Finial – 4"



Height: 6"
Base Width: 3"
Treated: TJF4, Hemlock: HJF4

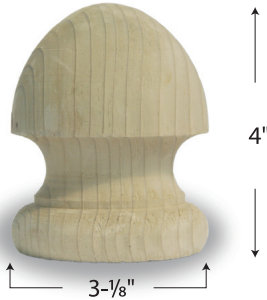
4" Finials & Ball Tops, cont.

Madison Finial – 5"



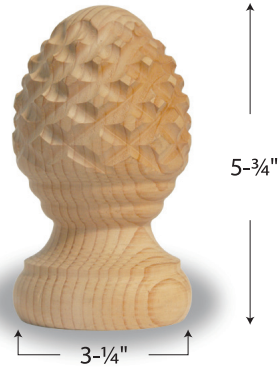
Height: 4-³/₄"
Base Width: 2-⁵/₁₆"
Cedar: FCMD5, Treated: TMD5

Mushroom Finial – 4"



Height: 4"
Base Width: 3-¹/₈"
Treated: TMF4

Pineapple Finial with Rings – 4"



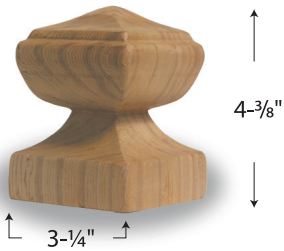
Height: 5-³/₄"
Base Width: 3-¹/₄"
Cedar: FCPF4R

Pineapple Finial – 4"



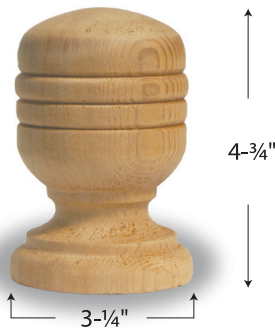
Height: 5-³/₄"
Base Width: 3-¹/₄"
Cedar: FCPF4, Treated: TPF4

Prince Edward Finial – 4"



Height: 4-³/₈"
Base Width: 3-¹/₄"
Cedar: FCPE4

Queen Anne Finial – 4"



Height: 4-³/₄"
Base Width: 3-¹/₄"
Cedar: FCQF4, IPE: IQF4

Queen Elizabeth Finial – 4"



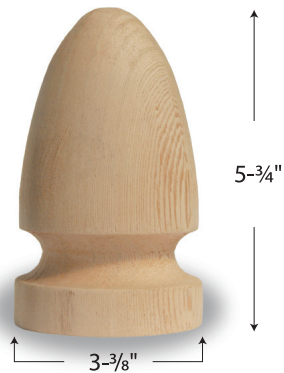
Height: 6-¹/₂"
Base Width: 3-¹/₄"
Cedar: FCQE4, Treated: TQE4, Hemlock: HQE4

Round Ball Finial – 4"



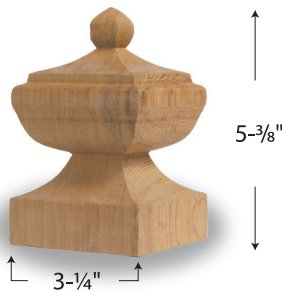
Height: 4"
Base Width: 3"
Cedar: FCBT4, IPE: IRF4

Round Gothic Finial – 4"



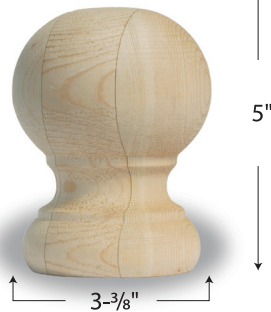
Height: 5-³/₄"
Base Width: 3-³/₈"
Cedar: FCRG4, Treated: TRG4

Royal Finial – 4"



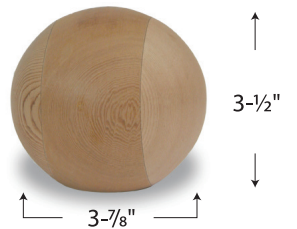
Height: 5-³/₈"
Base Width: 3-¹/₄"
Cedar: FCRF4

Sentry Finial – 4"



Height: 5"
Base Width: 3-³/₈"
Cedar: FCSY4, Treated: TSY4

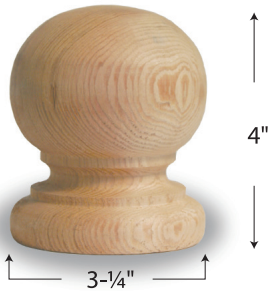
Sphere Finial – 4"



Height: 3-¹/₂"
Base Width: 3-⁷/₈"
Cedar: FCSF4, Treated: TSF4

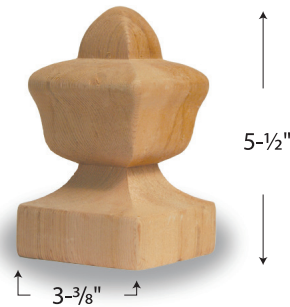
4" Finials & Ball Tops, cont.

Traditional Finial – 4"



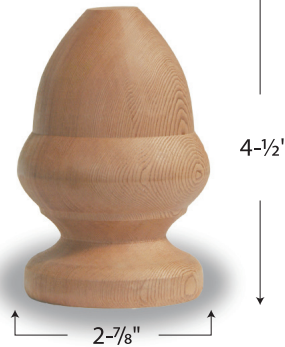
Height: 4"
Base Width: 3-1/4"
Ball Diameter: 3-1/4"
Cedar: FCTF4, Treated: TTF4, IPE: ITF4,
Redwood: RWFT4

William & Mary Finial – 4"



Height: 5-1/2"
Base Width: 3-3/8"
Cedar: FCWM4

Winnipeg Acorn Finial – 4"



Height: 4-1/2"
Base Width: 2-7/8"
Cedar: FCWN4

Notes:

- 4" Cedar Finials are clear grade, solid cedar. Treated are solid clear northern red pine..
- 4" Finials come with a threaded lag screw for easy installation.

Need to match an existing finial, we can do that, too!

Why Choose Cedar?



Thuja plicata, commonly called western or Pacific red cedar, giant or western arborvitae, giant cedar, or shingle wood, is a species of *Thuja*, an evergreen coniferous tree in the cypress family Cupressaceae native to western North America. Despite its common names, it does not belong with the true cedars within the genus *Cedrus*. The provincial tree of British Columbia, it has extensive applications for Native Americans of the Pacific Northwest.

Thujaplicin, a chemical substance, is found in mature trees and serves as a natural fungicide, thereby preventing the wood from rotting. This

effect lasts around a century even after the tree is felled. However, thujaplicin is only found in older trees. Saplings that do not produce the chemical often rot at an early stage, causing some trees to grow with a somewhat hollow, rotten trunk.

Cedar has become a multifaceted wood for interiors and exteriors of both residential and commercial buildings. Its adaptability and appeal to several architectural designs make it one of today's most requested softwoods. Quality conscious builders choose cedar because of its high strength compared with its light weight. It's the perfect choice to be used throughout a building's structure. Cedar has an inherent natural preservative giving it great resistance to decay and deterioration. These highly desired features make cedar an ideal light framing material for fencing and decking. As the production of cedar continues to increase, responsible logging practices continue to improve. Western Red Cedar is a very tolerant tree, it suffers little from insect attack. Cedar grows better than most in shady conditions and establishes easily wherever conditions are favorable. Its fully developed root system and large buttresses make cedar relatively windfirm. There is about 44 billion board feet of Western Red Cedar sawtimber on commercial timberland in the United States. Oregon and Washington have more than half of this volume. An estimated 8.7 billion cubic feet of growing stock occurs in Washington, Idaho, Alaska, Oregon, Montana and California.

Cedar Characteristics:

- Lightest commercial softwood
- Easily transportable because of its light weight
- Hygroscopic
- Low shrinkage factor
- Best thermal insulator among softwoods
- Properly finished, will provide decades of trouble-free service
- Good fastening properties – Use corrosive resistant fasteners such as aluminum, brass, silicon bronze, hot-dipped galvanized or stainless steel
- Best of the softwoods for accepting paints, stains, oils and other coatings.
- Easiest and most rewarding woods to work with
- Naturally durable
- Versatile
- Durable to very durable in regard to decay resistance

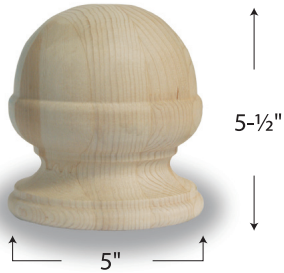
6" & Larger Finials & Ball Tops

Notes:

- Cedar is a clear, kiln dried, finger joint, laminate material.

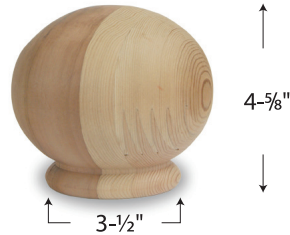
Need to match an existing finial, we can do that, too!

Acorn Finial – 6"



Height: 5-1/2"
Base Width: 5"
Cedar: FCAF6

Bailey Finial – 6"



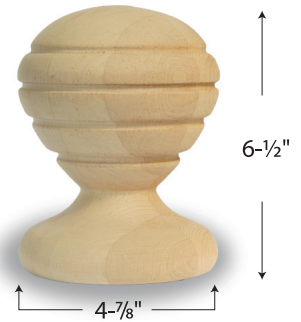
Height: 4-5/8"
Base Width: 3-1/2"
Cedar: FCBF6, Treated: TBF6

Ball Top Finial – 6"



Height: 4-1/4"
Base Width: 3-3/4"
Cedar: FCBT6

Beehive Finial – 6"



Height: 6-1/2"
Base Width: 4-7/8"
Cedar: FCBH6

Bishop Finial – 6"



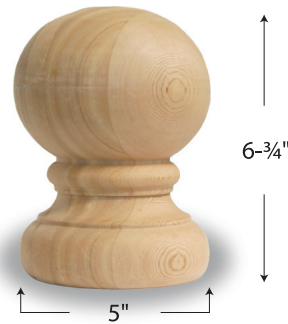
Height: 11"
Base Width: 5"
Cedar: FCBP6, Treated: TBP6

Cannonball Finial – 6"



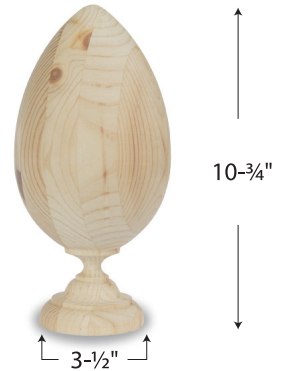
Height: 7"
Base Width: 4-3/4"
Cedar: FCCB6, Treated: TCB6

Colonial Ball Finial – 6"



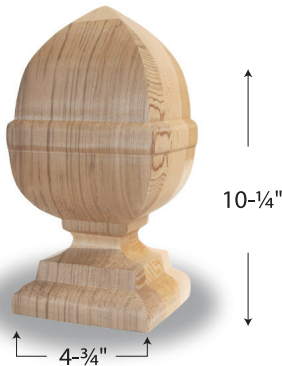
Height: 6-3/4"
Base Width: 5"
Cedar: FCCL6

Egg Finial – 6"



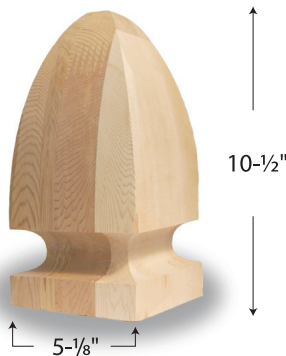
Height: 10-3/4"
Base Width: 3-1/2"
Cedar: FCEF6

French Acorn Finial – 6"



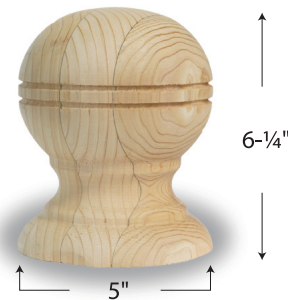
Height: 10-1/4"
Base Width: 4-3/4"
Cedar: CFA6, Treated: TFA6

French Gothic Finial – 6"



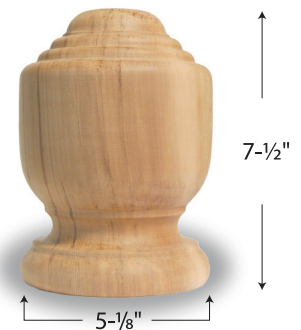
Height: 10-1/2"
Base Width: 5-1/8"
Cedar: FCG6, Treated: TFG6

Globe Finial with Rings – 6"



Height: 6-1/4"
Base Width: 5"
Cedar: FCGF6, Treated: TGF6

Jamestown Finial – 6"



Height: 7-1/2"
Base Width: 5-1/8"
Cedar: FCJF6, Treated: TJF6

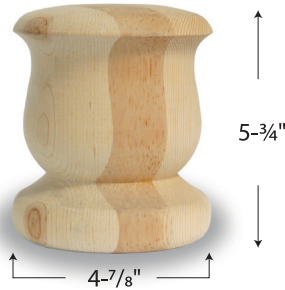
6" & Larger Finials & Ball Tops, cont.

Majestic Finial – 6"



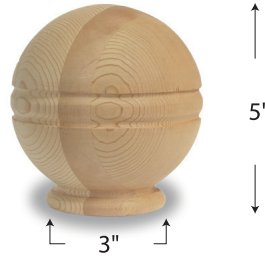
Height: 10"
Base Width: 2-1/2"
Cedar: FCMF6, Treated: TMF6

Mediterranean Finial – 6"



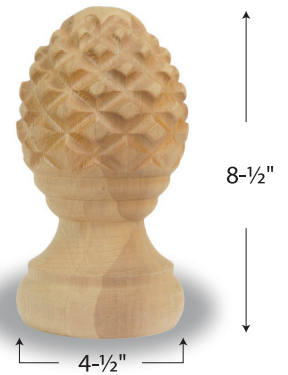
Height: 5-3/4"
Base Width: 4-7/8"
Cedar: FCMF6M, Treated: TMF6M

Milbanks Finial – 6"



Height: 5"
Base Width: 3"
Cedar: FCMB6, Treated: TMB6

Pineapple Finial with Rings – 6"



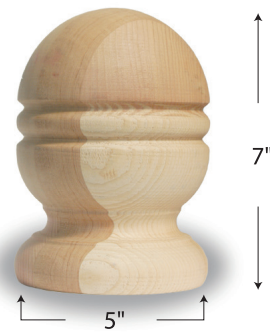
Height: 8-1/2"
Base Width: 4-1/2"
Cedar: FCPF6R

Pineapple Finial – 6"



Height: 8-1/2"
Base Width: 4-1/2"
Cedar: FCPF6

Queene Anne Finial – 6"



Height: 7"
Base Width: 5"
Cedar: FCQF6, Treated: TQF6

Ringling Circus – 6"



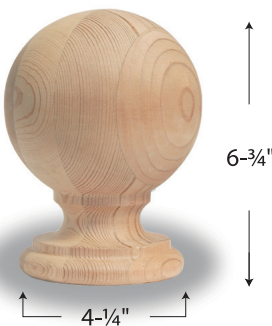
Height: 14-3/4"
Base Width: 2-3/4"
Cedar: FCRC6

Squire Finial – 6"



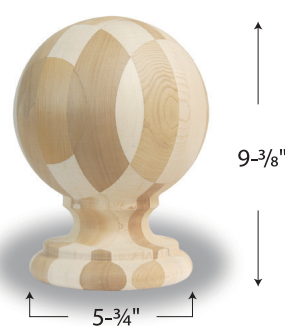
Height: 8"
Base Width: 3-1/2"
Cedar: FCSF6, Treated: TSF6

Traditional Finial – 6"



Height: 6-3/4"
Base Width: 4-1/4"
Cedar: FCTF6, Treated: TTF6

Traditional Finial – 8"



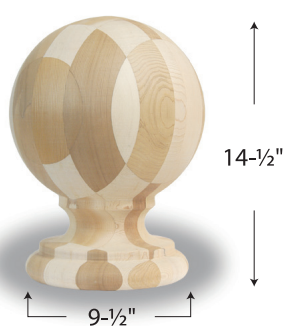
Height: 9-3/8"
Base Width: 5-3/4"
Cedar: FCFF8, Treated TTF8

Traditional Finial – 10"



Height: 12"
Base Width: 7-1/2"
Cedar: FCTF10

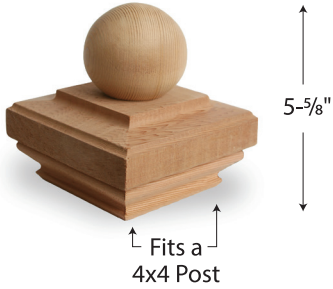
Traditional Finial – 12"



Height: 14-1/2"
Base Width: 9-1/2"
Cedar: FCTF12

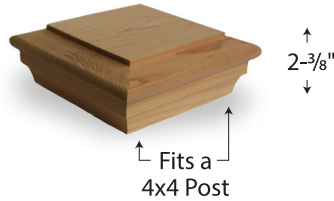
4" Fence & Deck Post Caps

Ball Top Post Cap – 4x4



Height: 5-5/8"
Base Width: 5-3/8"
Depth: 5-3/8"
Cedar: CCBC4, Treated: TBC4

Colonial Flat Top Post Cap – 4x4



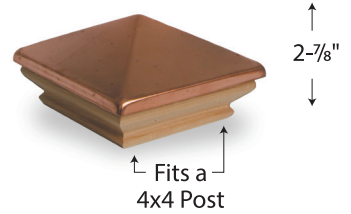
Height: 2-3/8"
Base Width: 5-3/8"
Depth: 5-3/8"
Cedar: CCCF4

Colonial Pyramid Post Cap – 4x4



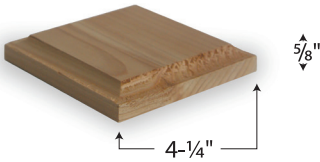
Height: 2-1/2"
Base Width: 5-3/8"
Depth: 5-3/8"
Cedar: CCPC4

Copper Pyramid Post Cap – 4x4



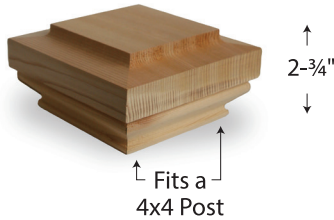
Height: 2-7/8"
Base Width: 5-1/2"
Depth: 5-1/2"
Cedar: CCCP4, Treated: TCP4

Econo Post Cap – 5x5



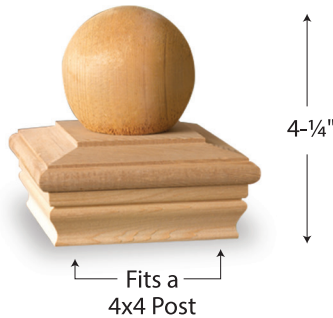
Height: 5/8"
Base Width: 4-1/4"
Depth: 4-1/4"
Cedar: CKCC5

Hatteras Post Cap – 4x4



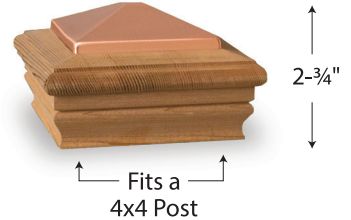
Height: 2-3/4"
Base Width: 5-3/8"
Depth: 5-3/8"
Cedar: CCHC4

Newport Ball Top Post Cap – 4x4



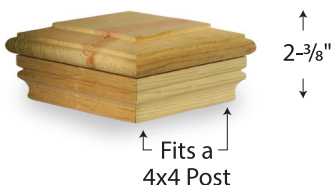
Height: 4-1/4"
Base Width: 5-3/8"
Depth: 5-3/8"
Cedar: CNC4, Treated: TNT4

Newport Copper High Top Post Cap – 4x4



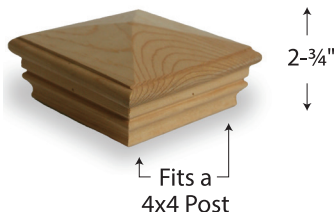
Height: 2-3/4"
Base Width: 5-3/8"
Depth: 5-3/8"
Cedar: CNC3

Newport Flat Top Post Cap – 4x4



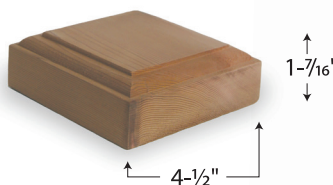
Height: 2-3/8"
Base Width: 5-3/8"
Depth: 5-3/8"
Cedar: CNC2, Treated: TNT2

Newport Pyramid Post Cap – 4x4



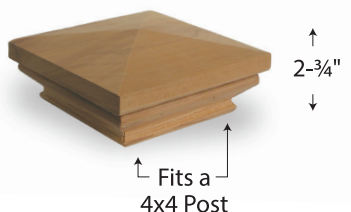
Height: 2-3/4"
Base Width: 5-3/8"
Depth: 5-3/8"
Cedar: CNC1, Treated: TNT1

Premium Post Cap – 5x5



Height: 1-7/16"
Base Width: 4-1/2"
Depth: 4-1/2"
Cedar: CDCC5, Treated: TDC5

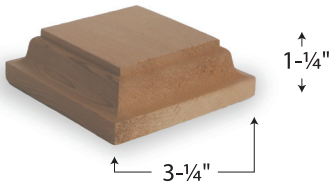
Southern Belle Pyramid Post Cap – 4x4



Height: 2-1/2"
Base Width: 5-3/8"
Depth: 5-3/8"
Cedar: CPCC4, Treated: TPC4

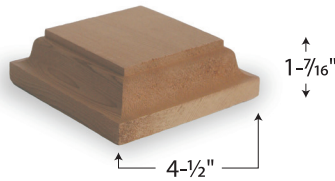
4" Fence & Deck Post Caps, cont.

Victorian Post Cap – 3x3



Height: 1-1/4"
Base Width: 3-1/4"
Depth: 3-1/4"
Treated: TVC3

Victorian Post Cap – 4x4



Height: 1-7/16"
Base Width: 4-1/2"
Depth: 4-1/2"
Cedar: CCVC4, Treated: TVC4

Need a special size,
call for availability!

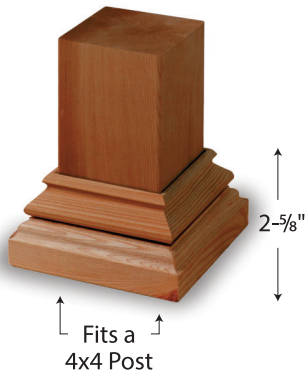


MrSpindle.com
1-800-487-9663

5936 53rd Ave S.
Fargo, ND 58104

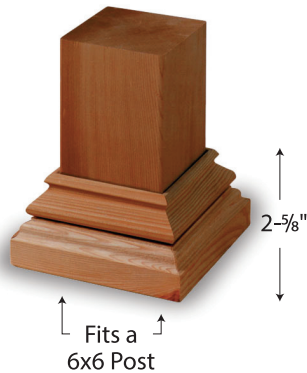
“Handyman” Kits

Country Gentleman and Southern Belle
Combo Handyman Kit – 4x4



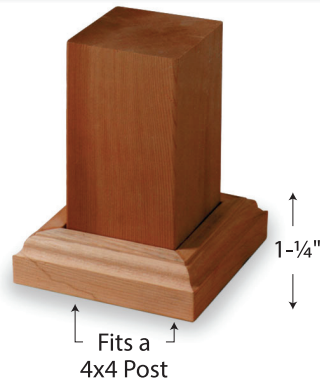
Height: 2-5/8"
Cedar: CCGT4 & CCSB4, Treated: TGT4 & TSB4

Country Gentleman and Southern Belle
Combo Handyman Kit – 6x6



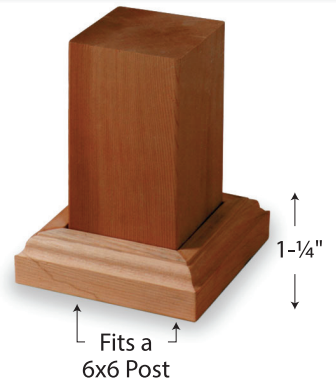
Height: 2-5/8"
Cedar: CCGT6 & CCSB6, Treated: TGT6 & TSB6

Country Gentleman Handyman Kit – 4x4



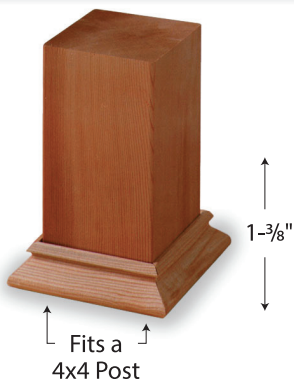
Height: 1-1/4"
Cedar: CCGT4, Treated: TGT4

Country Gentleman Handyman Kit – 6x6



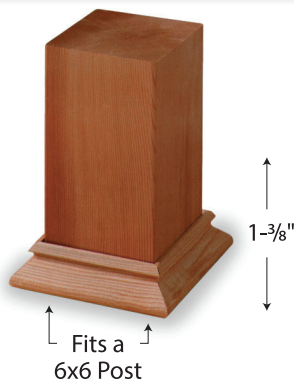
Height: 1-1/4"
Cedar: CCGT6, Treated: TGT6

Southern Belle Handyman Kit – 4x4



Height: 1-3/8"
Cedar: CCSB4, Treated: TSB4

Southern Belle Handyman Kit – 6x6



Height: 1-3/8"
Cedar: CCSB6, Treated: TSB4

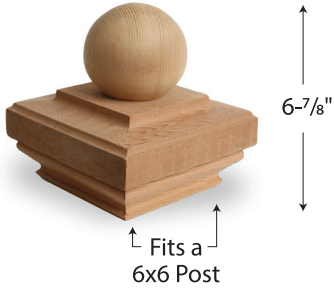


MrSpindle.com
1-800-487-9663

5936 53rd Ave S.
Fargo, ND 58104

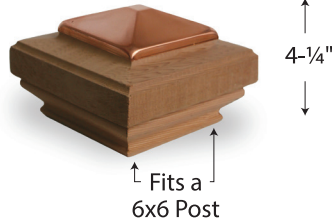
6" & Larger Fence & Deck Post Caps

Ball Top Post Cap – 6x6



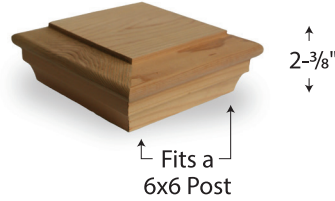
Height: 6-7/8"
Base Width: 7-3/16"
Depth: 7-3/16"
Cedar: CCBC6, Treated: TBC6

Classic Copper Top Post Cap – 6x6



Height: 4-1/4"
Base Width: 7-3/16"
Depth: 7-3/16"
Cedar: CCCC6, Treated: TCCC6

Colonial Flat Top Post Cap – 6x6



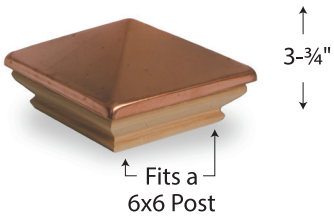
Height: 2-3/8"
Base Width: 7-1/8"
Depth: 7-1/8"
Cedar: CCCF6

Colonial Pyramid Post Cap – 6x6



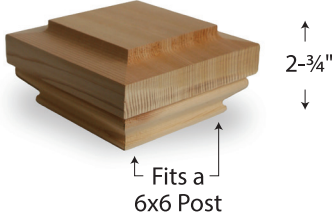
Height: 2-1/2"
Base Width: 7-1/8"
Depth: 7-1/8"
Cedar: CCPC6

Copper Pyramid Post Cap – 6x6



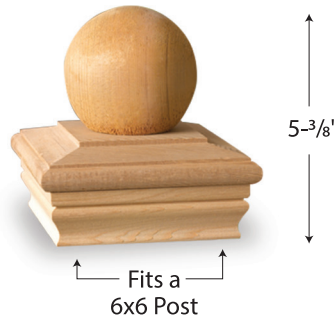
Height: 3-3/4"
Base Width: 8"
Depth: 8-1/2"
Cedar: CCCP6, Treated: TCP6

Hatteras Post Cap – 6x6



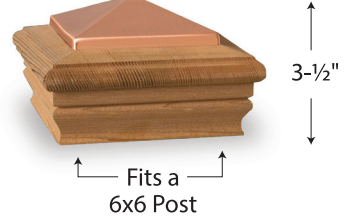
Height: 2-3/4"
Base Width: 7-3/16"
Depth: 7-3/16"
Cedar: CCHC6

Newport Ball Top Post Cap – 6x6



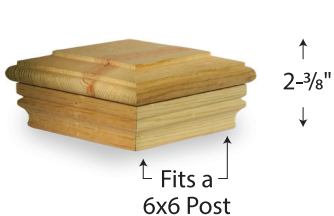
Height: 5-3/8"
Base Width: 7-1/8"
Depth: 7-1/8"
Cedar: CNC4E

Newport Copper High Top Post Cap – 6x6



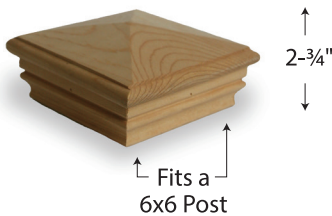
Height: 3-1/2"
Base Width: 7-1/8"
Depth: 7-1/8"
Cedar: CNC3E

Newport Flat Top Post Cap – 6x6



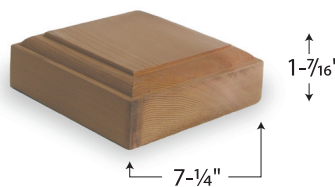
Height: 2-3/8"
Base Width: 7-1/8"
Depth: 7-1/8"
Cedar: CNC2E, Treated: TNF6

Newport Pyramid Post Cap – 6x6



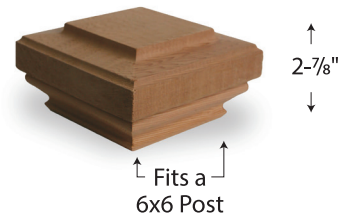
Height: 2-3/4"
Base Width: 7-1/8"
Depth: 7-1/8"
Cedar: CNC16, Treated: TNP6

Premium Post Cap – 7x7



Height: 1-7/16"
Base Width: 7-1/4"
Depth: 7-1/4"
Cedar: CDCC7, Treated: TDC7

Southern Belle Flat Top Post Cap – 6x6



Height: 2-7/8"
Base Width: 7-3/16"
Depth: 7-3/16"
Cedar: CFCC6, Treated: TFC6

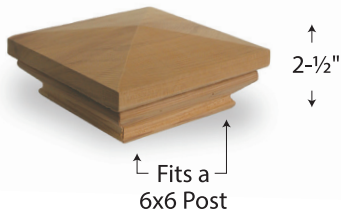
6" & Larger Fence & Deck Post Caps, cont.

Southern Belle Pyramid Post Cap – 6x6

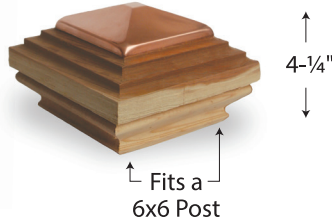
Triple Crown Post Cap – 6x6

Victorian Post Cap – 7x7

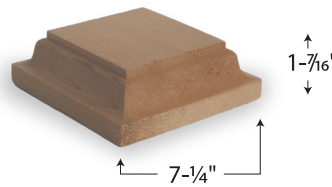
Need a special size, call for availability!



Height: 2-1/2"
Base Width: 7-3/16"
Depth: 7-3/16"
Cedar: CPCC6, Treated: TPC6



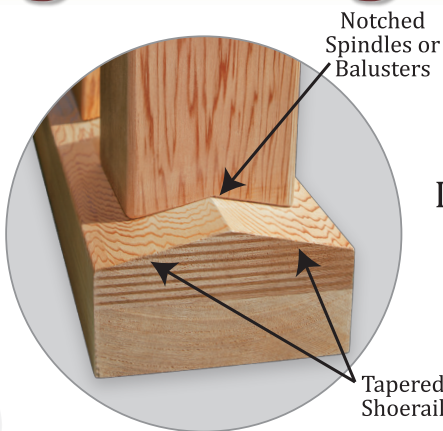
Height: 4-1/4"
Base Width: 7-3/16"
Depth: 7-3/16"
Cedar: CCCT6



Height: 1-7/16"
Base Width: 7-1/4"
Depth: 7-1/4"
Cedar: CCVC7, Treated: TVC7



Railings Designed to Shed Water!



Want to prevent your new railing from rotting? Mr. Spindle has the solution...

It's not the wood species or the paint, it's the design. We taper the top of our shoerail sections and notch the spindle or baluster bottoms to match. Your spindles won't be standing in water — Our railings shed the water, helping to prevent rot!

Why Choose Western Hemlock?



Tsuga heterophylla, the western hemlock, is a species of hemlock native to the west coast of North America, with its northwestern limit on the Kenai Peninsula, Alaska, and its southeastern limit in northern Sonoma County, California.

Western hemlock is used for general construction, roof decking and plywood. It is used for laminating stock and the production of glue laminated and solid beams. Western hemlock is firmly established as an outstanding wood for moldings and is also used for interior woodworking. Other uses include: doors, windows, interior finish, floors, suspended ceilings, ladders, and

other purposes where a high-grade softwood is needed. Kiln drying inhibits natural staining of the wood, improves its strength and stiffness, enhances its appearance, and increases its resistance to decay and attack by insects.

Western Hemlock Characteristics:

- Stable
- Renewable resource
- Glues, stains and finishes well
- Clear grade

Porch Accent Spindles

Accent Spindle (1015) – 2x2



Base Width: 5/8"
Depth: 1-3/8"
Available Heights: 9"
Decorative Turn Length: 8-5/16"
Cedar: SCAS2, Treated: TASL2, IPE: IASL2,
Redwood: RWASL2

Accent Spindle – 2x2



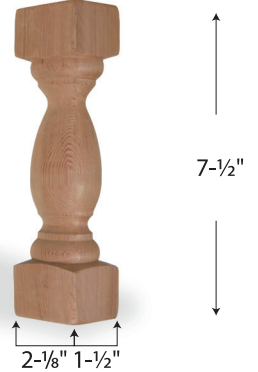
Base Width: 1-5/8"
Depth: 1-5/8"
Available Heights: 7-1/2"
Decorative Turn Length: 4-7/8"
Cedar: SACS2H, Treated: TAS2H,
Hemlock: HAS2H

Accent Spindle – 2x2



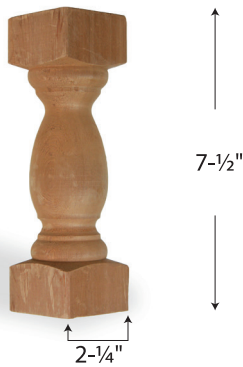
Base Width: 1-1/2"
Depth: 1-1/2"
Available Heights: 7-1/2"
Decorative Turn Length: 4-7/8"
Cedar: SACS2, Treated: TAS2, IPE: IAS2,
Redwood: RWAS2

Accent Spindle – 2x3



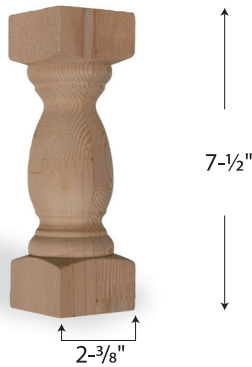
Base Width: 2-1/8"
Depth: 1-1/2"
Available Heights: 7-1/2"
Decorative Turn Length: 4-7/8"
Cedar: SACS12

Accent Spindle – 3x3



Base Width: 2-1/4"
Depth: 2-1/4"
Available Heights: 7-1/2"
Decorative Turn Length: 4-7/8"
Cedar: SACS3, Treated: TAS3

Accent Spindle – 3x3



Base Width: 2-3/8"
Depth: 2-3/8"
Available Heights: 7-1/2"
Decorative Turn Length: 4-7/8"
Hemlock: HAS3

Galaxy Spindle – 7-1/2"



Base Width: 1-3/4"
Depth: 1-3/4"
Available Heights: 7-1/2"
Decorative Turn Length: 4"
Cedar: SGCS2]

Porch Spindle – 1-5/8"



Base Width: 1-5/8"
Depth: 1-5/8"
Available Heights: 12", 16", 18"
Decorative Turn Length: 8-1/8"
Cedar: SPCSH, Treated: TPS2H,
Hemlock: HPS2H

Porch Spindle – 1-5/8"



Base Width: 1-5/8"
Depth: 1-5/8"
Available Heights: 12", 16", 18"
Decorative Turn Length: 8-1/8"
Cedar: SPCSH, Treated: TPS2H,
Hemlock: HPS2H

Porch Spindle – 2x2



Base Width: 1-1/2"
Depth: 1-1/2"
Available Heights: 12", 16", 18"
Decorative Turn Length: 8-1/8"
Cedar: SPCS2, Treated: TPS2, IPE: IPS2,
Hemlock: HPS2

Porch Spindle – 2x3



Base Width: 2-1/8"
Depth: 1-1/2"
Available Heights: 12", 16", 18"
Decorative Turn Length: 8-1/8"
Cedar: SPCS23

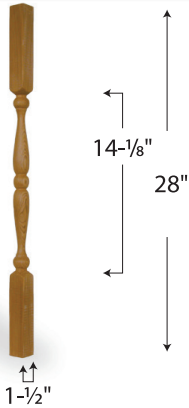
Vancouver Spindle – 2x2



Base Width: 1-1/2"
Depth: 1-1/2"
Available Heights: 7-1/2"
Decorative Turn Length: 7-3/8"
Cedar: SVCS2, Treated: TVS2, IPE: IVS2,
Hemlock: HVCS2

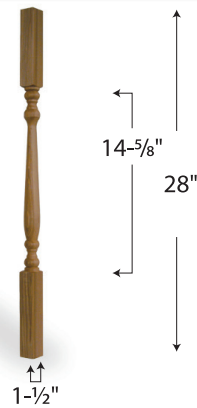
2x2 & 2x3 Spindles & Palings

Charleston Spindle – 2x2



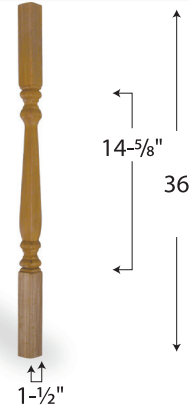
Base Width: 1-1/2"
Depth: 1-1/2"
Available Heights: 24", 28", 32", 36"
Decorative Turn Length: 14-1/8"
Cedar: SCCS2, Treated: TSSC2, IPE: ICCS2,
Redwood: RWCS2

Colonial Spindle – 2x2



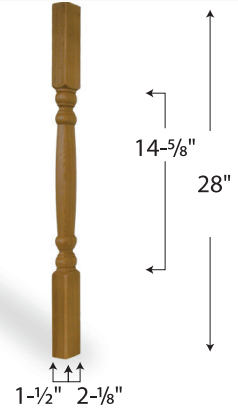
Base Width: 1-1/2"
Depth: 1-1/2"
Available Heights: 24", 28", 32", 36"
Decorative Turn Length: 14-5/8"
Cedar: SLCS2, IPE: ICS2, Redwood: RWS2,
Hemlock: HLHS2

Colonial Square Spindle – 2x2



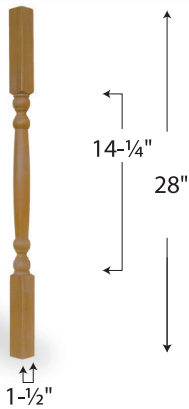
Base Width: 1-1/2"
Depth: 1-1/2"
Available Heights: 36"
Decorative Turn Length: 14-5/8"
Cedar: SLCSS2

Contemporary Oval Spindle – 2x3



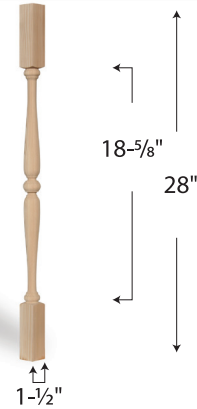
Base Width: 2-1/8"
Depth: 1-1/2"
Available Heights: 24", 28", 32", 36"
Decorative Turn Length: 14-1/4"
Cedar: SYCS23, Treated: TYS23

Contemporary Spindle – 2x2



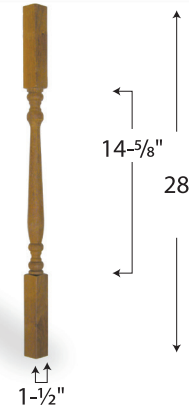
Base Width: 1-1/2"
Depth: 1-1/2"
Available Heights: 24", 28", 32", 36"
Decorative Turn Length: 14-1/4"
Cedar: SYCS2, IPE: IYS2

Homestead Spindle – 2x2



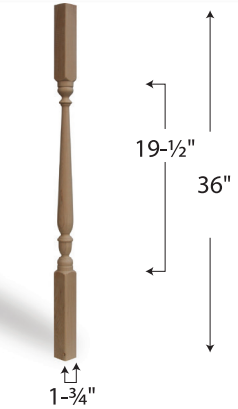
Base Width: 1-1/2"
Depth: 1-1/2"
Available Heights: 24", 28", 32", 36"
Decorative Turn Length: 18-5/8"
Cedar: SHDCS3

IPE Colonial Spindle – 2x2



Base Width: 1-1/2"
Depth: 1-1/2"
Available Heights: 24", 28", 32", 36", 42", 48"
Decorative Turn Length: 14-5/8"
IPE: ICS2

Lac Du Flambeau Spindle – 2x2



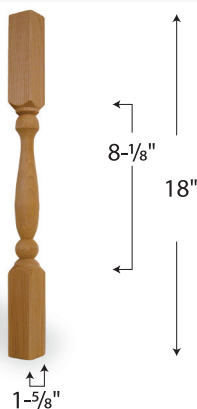
Base Width: 1-3/4"
Depth: 1-3/4"
Available Heights: 24", 28", 32", 36"
Decorative Turn Length: 19-1/2"
Cedar: SLDCS2J, Hemlock: HLDHS2J

McKinley Spindle – 2x2



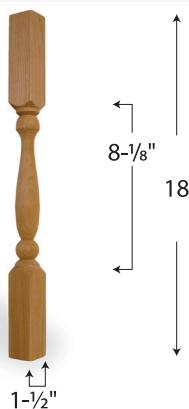
Base Width: 1-3/4"
Depth: 1-3/4"
Available Heights: 18", 24"
Decorative Turn Length: 12"
Cedar: SMKCS2J

Porch Spindle – 1-5/8"



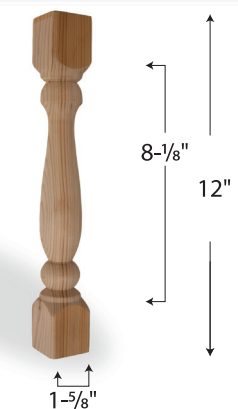
Base Width: 1-5/8"
Depth: 1-5/8"
Available Heights: 12", 16", 18"
Decorative Turn Length: 8-1/8"
Cedar: SPCS2H, Treated: TPS2H,
Hemlock: HPS2H

Porch Spindle – 2x2



Base Width: 1-1/2"
Depth: 1-1/2"
Available Heights: 12", 16", 18"
Decorative Turn Length: 8-1/8"
Cedar: SPCS2, Treated: TPS2

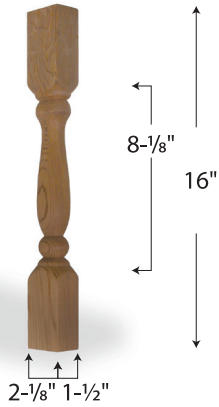
Porch Spindle – 2x2



Base Width: 1-5/8"
Depth: 1-5/8"
Available Heights: 12", 16", 18"
Decorative Turn Length: 8-1/8"
Cedar: SPCS2H, Treated: TPS2H,
Hemlock: HPS2H

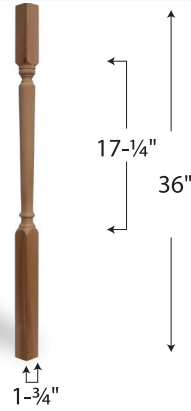
2x2 & 2x3 Spindles & Palings, cont.

Porch Spindle – 2x3



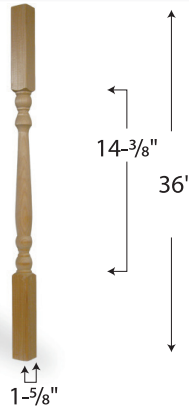
Base Width: 2- $\frac{1}{8}$ "
 Depth: 1- $\frac{1}{2}$ "
 Available Heights: 12", 16", 18"
 Decorative Turn Length: 8- $\frac{1}{8}$ "
 Cedar: SPCS23

Raleigh Spindle – 2x2



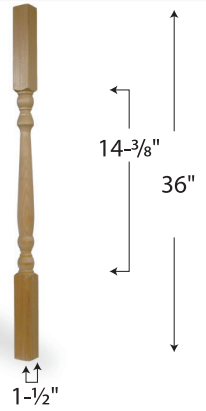
Base Width: 1- $\frac{3}{4}$ "
 Depth: 1- $\frac{3}{4}$ "
 Available Heights: 28", 32", 36"
 Decorative Turn Length: 17- $\frac{1}{4}$ "
 Cedar: SCRS2J, Treated: TRS2J,
 Hemlock: HRHS2J

Seattle Spindle – 1-5/8 "



Base Width: 1- $\frac{5}{8}$ "
 Depth: 1- $\frac{5}{8}$ "
 Available Heights: 36"
 Decorative Turn Length: 14- $\frac{3}{8}$ "
 Treated: TSS2H, Hemlock: HSHS2H

Seattle Spindle – 2x2



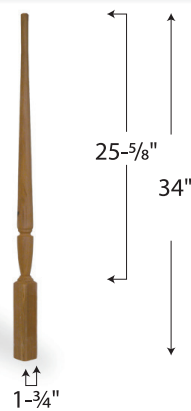
Height: 36"
 Base Width: 1- $\frac{1}{2}$ "
 Depth: 1- $\frac{1}{2}$ "
 Decorative Turn Length: 14- $\frac{3}{8}$ "
 Treated: TSS2H, Hemlock: HSHS2H

Shaped Paling – 2x3



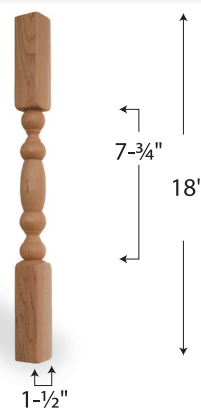
Base Width: 2- $\frac{1}{8}$ "
 Depth: 1- $\frac{1}{2}$ "
 Available Heights: 36"
 Decorative Turn Length: 16- $\frac{3}{4}$ "
 Cedar: SLCS2KP

Taper Top 2015PL Spindle – 2x2



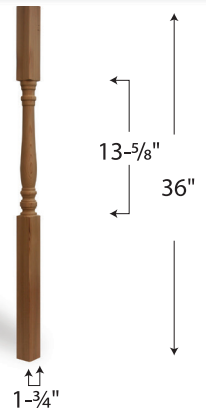
Base Width: 1- $\frac{3}{4}$ "
 Depth: 1- $\frac{3}{4}$ "
 Available Heights: 34"
 Decorative Turn Length: 25- $\frac{5}{8}$ "
 Cedar: STTS2J

Vancouver Spindle – 2x2



Base Width: 1- $\frac{1}{2}$ "
 Depth: 1- $\frac{1}{2}$ "
 Available Heights: 12", 16", 18"
 Decorative Turn Length: 7- $\frac{3}{4}$ "
 Cedar: SVCS2, IPE: IVS2

Winston Spindle – 2x2



Base Width: 1- $\frac{3}{4}$ "
 Depth: 1- $\frac{3}{4}$ "
 Available Heights: 28", 32", 36"
 Decorative Turn Length: 13- $\frac{5}{8}$ "
 Cedar: SWCS2J

Notes:

- The base widths of 2" Spindles vary depending on style. Please refer to diagram for actual specifications.
- Actual length may be $\frac{1}{4}$ " shorter than what is listed above.
- The Decorative Turn Length of the spindle is on center, remaining length is equally divided between the base and head of the spindle. However, the remaining length the Taper Top Spindle is added to the base of the spindle.
- Additional lengths available upon request.

**Need to match an existing spindle,
 we can do that, too!**



MrSpindle.com
1-800-487-9663

5936 53rd Ave S.
 Fargo, ND 58104

3x3 Spindles & Palings

Albany Spindle – 3x3



Base Width: 2-1/4"
Depth: 2-1/4"
Available Heights: 28", 32", 36"
Decorative Turn Length: 20-1/8"
Cedar: SALCS3, Treated: TSAL3,
IPE: ISAL3

Baroque Spindle – 3x3



Base Width: 2-1/4"
Depth: 2-1/4"
Available Heights: 32", 36"
Decorative Turn Length: 27-3/4"
Cedar: SBRCS3, Treated: TSBRS3

Boise Spindle – 3x3



Base Width: 2-1/4"
Depth: 2-1/4"
Available Heights: 32", 36"
Decorative Turn Length: 24-1/8"
Cedar: SBSC3, Treated: TBSB3, Hemlock: HBHS3

Charleston Spindle – 3x3



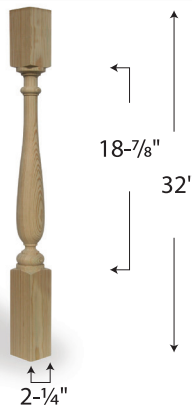
Base Width: 2-1/4"
Depth: 2-1/4"
Available Heights: 24", 28", 32", 36"
Decorative Turn Length: 14-1/4"
Cedar: SCCS3, Treated: TSSC3, Hemlock: HCHS3

Charlotte Low Country Spindle – 3x3



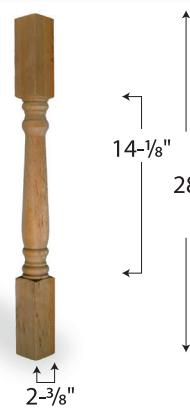
Base Width: 2-1/4"
Depth: 2-1/4"
Available Heights: 32", 36"
Decorative Turn Length: 24"
Cedar: SCCS3, Treated: TSCC3

Charlotte Square Top Spindle – 3x3



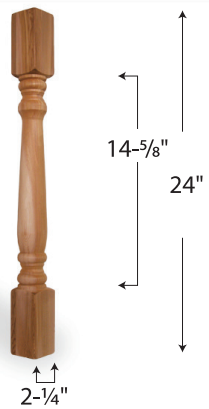
Base Width: 2-1/4"
Depth: 2-1/4"
Available Heights: 24", 28", 32", 36"
Decorative Turn Length: 18-7/8"
Cedar: SCSS3, Treated: TSCS3

Colonial Spindle – 2-3/8" x 2-3/8"



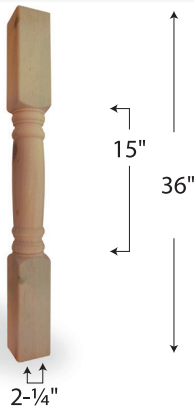
Base Width: 2-3/8"
Depth: 2-3/8"
Available Heights: 24", 28", 32", 36"
Decorative Turn Length: 14-1/8"
Hemlock: HLHS3L

Colonial Spindle – 3x3



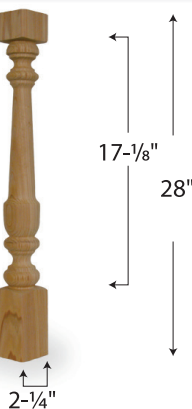
Base Width: 2-1/4"
Depth: 2-1/4"
Available Heights: 24", 28", 32", 36"
Decorative Turn Length: 14-5/8"
Cedar: SLCS3, Treated: TSC3, Hemlock: HLHS3

Contemporary Spindle – 3x3



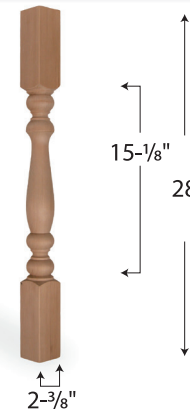
Base Width: 2-1/4"
Depth: 2-1/4"
Available Heights: 24", 28", 32", 36"
Decorative Turn Length: 15"
Cedar: SACS3, Treated: TSAC3

Daly Spindle – 3x3



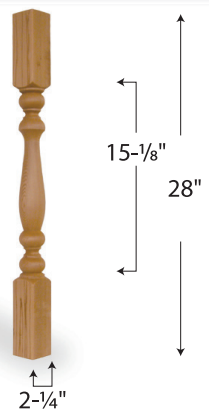
Base Width: 2-1/4"
Depth: 2-1/4"
Available Heights: 24", 28", 32", 36"
Decorative Turn Length: 17-1/8"
Cedar: SDYCS3, Treated: TSDY3,
Hemlock: HDLHS3

Designer Spindle – 2-3/8" x 2-3/8"



Base Width: 2-3/8"
Depth: 2-3/8"
Available Heights: 24", 28", 32", 36"
Decorative Turn Length: 15-1/8"
Hemlock: HDHS3L

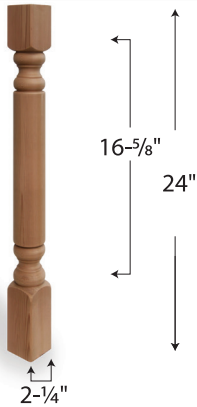
Designer Spindle – 3x3



Base Width: 2-1/4"
Depth: 2-1/4"
Available Heights: 24", 28", 32", 36"
Decorative Turn Length: 15-1/8"
Cedar: SDCS3, Treated: TDS3,
Hemlock: HDHS3L

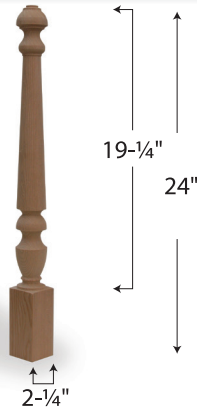
3x3 Spindles & Palings, cont.

Greenville Spindle – 3x3



Base Width: 2-1/4"
Depth: 2-1/4"
Available Heights: 24", 28", 32", 36"
Decorative Turn Length: 16-5/8"
Cedar: SGCS3, Treated: TSG3

High Street – 3x3



Base Width: 2-1/4"
Depth: 2-1/4"
Available Heights: 24", 28", 32", 36"
Decorative Turn Length: 19-1/4"
Cedar: SHGCS3, Treated: TSHG3,
Hemlock: HHS3

Horizon 14 Spindle – 3x3



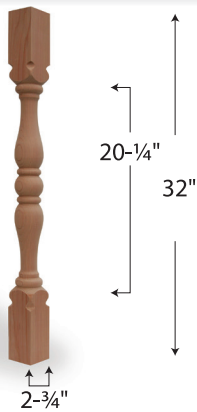
Base Width: 2-1/4"
Depth: 2-1/4"
Available Heights: 24"
Decorative Turn Length: 13-3/4"
Cedar: SH14CS3, Treated: TH14CS3,
Hemlock: HH14CS3

Horizon Spindle – 3x3



Base Width: 2-1/4"
Depth: 2-1/4"
Available Heights: 24", 28", 32", 36"
Decorative Turn Length: 19-5/8"
Cedar: SHCS3, Treated: TSH3, Hemlock: HH3

Jefferson Spindle – 3x3



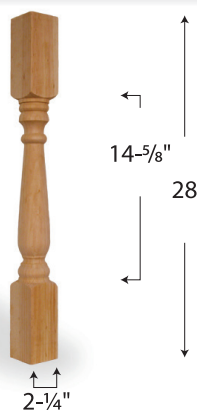
Base Width: 2-3/4"
Depth: 2-3/4"
Available Heights: 28", 32", 36"
Decorative Turn Length: 20-1/4"
Cedar: SJCS3

Keller Spindle – 3x3



Base Width: 2-1/4"
Depth: 2-1/4"
Available Heights: 24", 28", 32", 36"
Decorative Turn Length: 17-1/2"
Cedar: SKCS3, Treated: TSK3

Kettle Lake Spindle – 3x3



Base Width: 2-1/4"
Depth: 2-1/4"
Available Heights: 24", 28", 32", 36"
Decorative Turn Length: 14-5/8"
Cedar: SKLCS3, Treated: TSKL3,
Hemlock: HKHS3

Mrytle Beach Spindle – 3x3



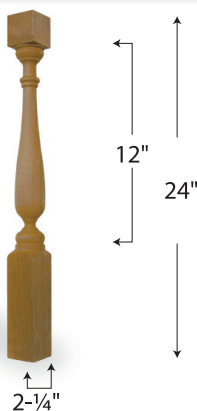
Base Width: 2-1/4"
Depth: 2-1/4"
Available Heights: 24", 28", 32", 36"
Decorative Turn Length: 17-3/4"
Cedar: SMBCS3, Treated: TSMB3,
Hemlock: HMHS3

North Carolina Taper Top Spindle – 3x3



Base Width: 2-1/4"
Depth: 2-1/4"
Available Heights: 32", 36"
Decorative Turn Length: 23-1/2"
Cedar: SNCS3, Treated: TSNCS3

Pierre Spindle – 3x3



Base Width: 2-1/4"
Depth: 2-1/4"
Available Heights: 24", 28", 32", 36"
Decorative Turn Length: 14-1/8"
Cedar: SPRCS3, Treated: TSPR3,
Hemlock: HPRHS3

Plantation Spindle – 3x3



Base Width: 2-1/4"
Depth: 2-1/4"
Available Heights: 27", 28", 32", 36"
Decorative Turn Length: 24"
Cedar: SPLCS3, Treated: TSPL33,
Hemlock: HPLHS

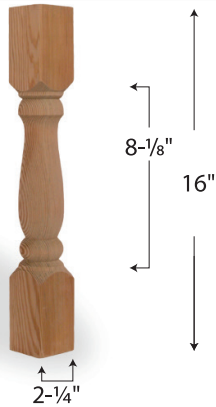
Porch Spindle – 3x3



Base Width: 2-1/4"
Depth: 2-1/4"
Available Heights: 12", 16", 18"
Decorative Turn Length: 8-1/8"
Cedar: SPCS33, Treated: TSP3, Hemlock: HPHS

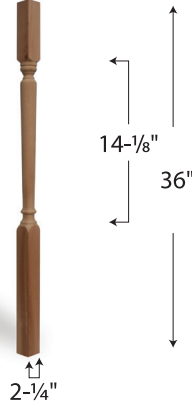
3x3 Spindles & Palings, cont.

Porch Spindle – 3x3



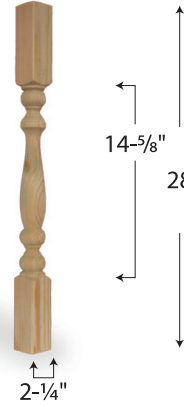
Base Width: 2-1/4"
Depth: 2-1/4"
Available Heights: 12", 16", 18"
Decorative Turn Length: 8-1/8"
Cedar: SPCS33, Treated: TSP3, Hemlock: HPHS

Raleigh Spindle – 3x3



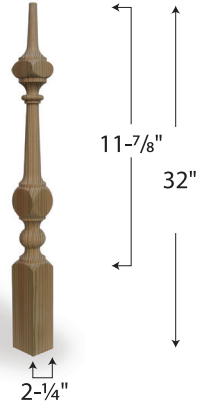
Base Width: 2-1/4"
Depth: 2-1/4"
Available Heights: 28", 32", 36"
Decorative Turn Length: 17-1/4"
Cedar: SRCS3, Treated: TSR3, Hemlock: HRHS3

Seattle Designer Spindle – 3x3



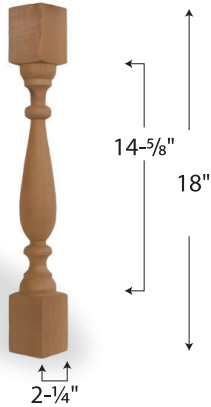
Base Width: 2-1/4"
Depth: 2-1/4"
Available Heights: 24", 32", 36"
Decorative Turn Length: 15-1/8"
Treated: TSS3

Sherman Taper Top Spindle – 3x3



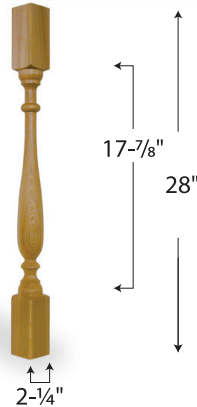
Base Width: 2-1/4"
Depth: 2-1/4"
Available Heights: 32", 36"
Decorative Turn Length: 23-1/2"
Cedar: SSTS3, Treated: TSST3

Victorian 12 Spindle – 3x3



Base Width: 2-1/4"
Depth: 2-1/4"
Available Heights: 16", 18"
Decorative Turn Length: 11-7/8"
Cedar: SVICCS3, Treated: TSVIC3, Hemlock: HVICHS3

Victorian Spindle – 3x3



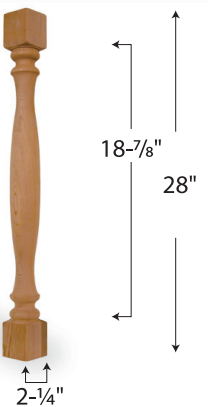
Base Width: 2-1/4"
Depth: 2-1/4"
Available Heights: 24", 32", 36"
Decorative Turn Length: 17-7/8"
Cedar: SVCS3, Treated: TSV3, Hemlock: HVHS3

Waukie Spindle – 3x3



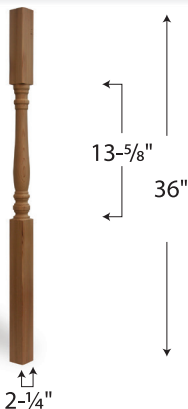
Base Width: 2-1/4"
Depth: 2-1/4"
Available Heights: 24", 28", 32", 36"
Decorative Turn Length: 15"
Cedar: SWKCS3, Treated: TSWK3, Hemlock: HWKHS3

William Spindle – 3x3



Base Width: 2-1/4"
Depth: 2-1/4"
Available Heights: 24", 28", 32", 36"
Decorative Turn Length: 18-7/8"
Cedar: SWLCS3, Treated: TSWL3, Hemlock: HWLHS3

Winston Spindle – 3x3



Base Width: 2-1/4"
Depth: 2-1/4"
Available Heights: 28", 32", 36"
Decorative Turn Length: 13-5/8"
Cedar: SWNCS3, Treated: TSWN3, Hemlock: HWNHS3

Notes:

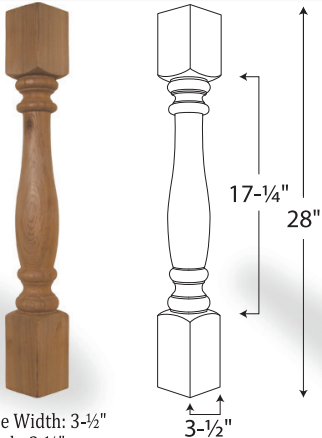
- All Hemlock 3" Spindles are 2-3/8" x 2-3/8". Cedar and Treated 3" Spindles are 2-1/4" x 2-1/4".
- Cedar is a clear, kiln dried, finger joint, laminate material.
- Actual length may be 1/4" shorter than what is listed above.
- The Decorative Turn Length of the spindle is on center, remaining length is equally divided between the base and head of the spindle. However, the remaining length the Taper Top Spindle is added to the base of the spindle.
- Additional lengths available upon request.

Need to match an existing spindle, we can do that, too!



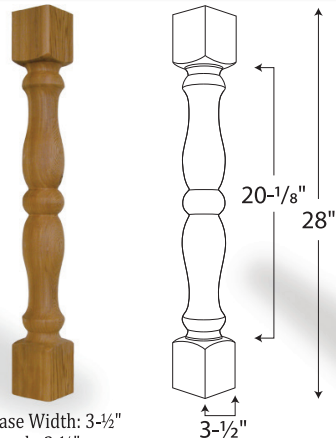
4x4 Spindles

Abaco Spindle – 4x4



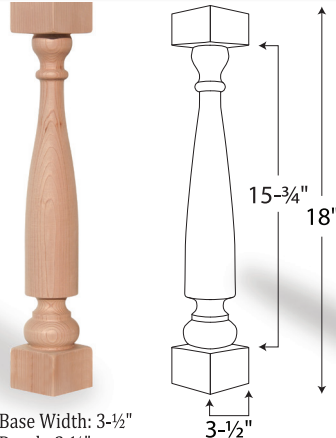
Base Width: 3-1/2"
Depth: 3-1/2"
Available Heights: 24", 28", 32", 36"
Decorative Turn Length: 17-1/4"
Cedar: SABCS4, Treated: TSAB4,
IPE: ISAB4

Albany Spindle – 4x4



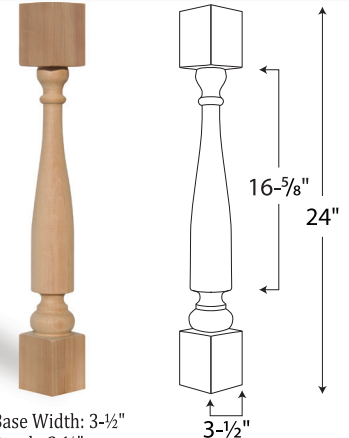
Base Width: 3-1/2"
Depth: 3-1/2"
Available Heights: 28", 32", 36"
Decorative Turn Length: 20-1/8"
Cedar: SALCS4, Treated: TSAL4,
IPE: ISAL4

Bellmore 16 Spindle – 4x4



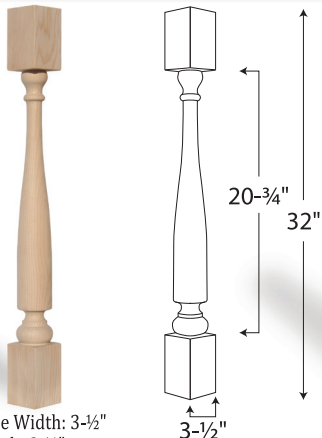
Base Width: 3-1/2"
Depth: 3-1/2"
Available Heights: 18", 24", 28", 32", 36"
Decorative Turn Length: 15-3/4"
Cedar: SBL16CS4, Treated: TSBL164

Bellmore 17 Spindle – 4x4



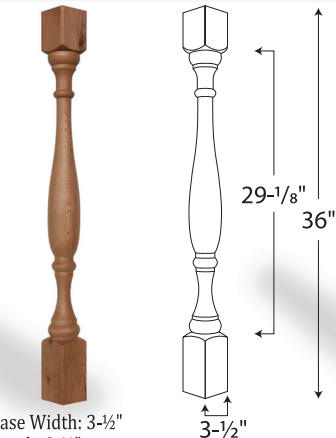
Base Width: 3-1/2"
Depth: 3-1/2"
Available Heights: 24", 28", 32", 36"
Decorative Turn Length: 16-5/8"
Cedar: SBL17CS4, Treated: TSBL174

Bellmore 21 Spindle – 4x4



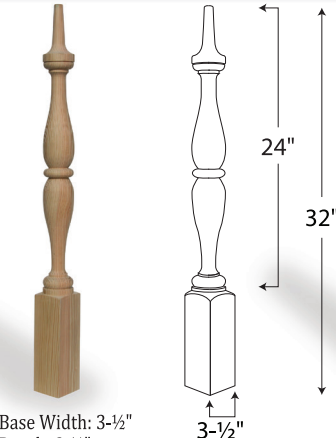
Base Width: 3-1/2"
Depth: 3-1/2"
Available Heights: 28", 32", 36"
Decorative Turn Length: 20-3/4"
Cedar: SBL21CS4, Treated: TSBL214

Channing Spindle – 4x4



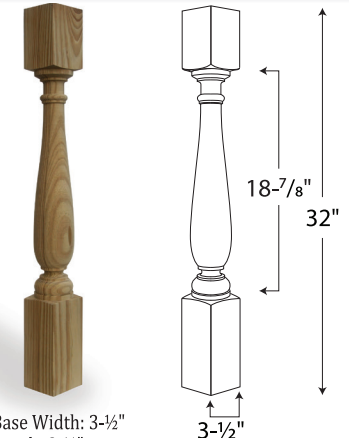
Base Width: 3-1/2"
Depth: 3-1/2"
Available Heights: 36"
Decorative Turn Length: 29-1/8"
Cedar: SCHCS4, Treated: TSCH4

Charlotte Low Country Spindle – 4x4



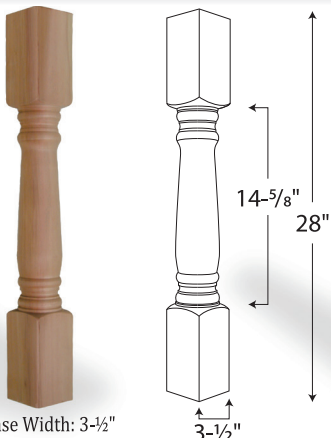
Base Width: 3-1/2"
Depth: 3-1/2"
Available Heights: 32", 36"
Decorative Turn Length: 24"
Cedar: SCCS4, Treated: TSCC4, IPE: ISCC4

Charlotte Square Top Spindle – 4x4



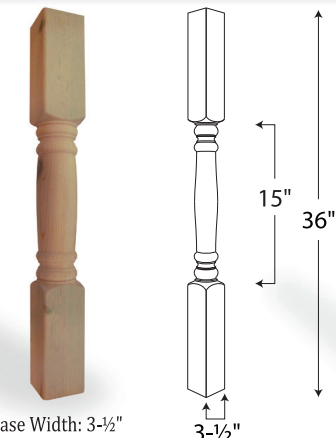
Base Width: 3-1/2"
Depth: 3-1/2"
Available Heights: 24", 28", 32", 36"
Decorative Turn Length: 18-7/8"
Cedar: SCSS4, Treated: TSCS4, IPE: ISCS4,
Oak: OSCS4

Colonial Spindle – 4x4



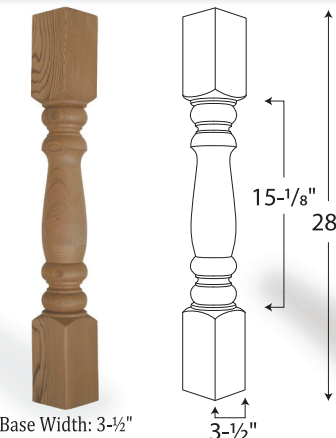
Base Width: 3-1/2"
Depth: 3-1/2"
Available Heights: 24", 28", 32", 36"
Decorative Turn Length: 14-5/8"
Cedar: SLCS4, Treated: TSC4,
IPE: ISC4

Contemporary Spindle – 4x4



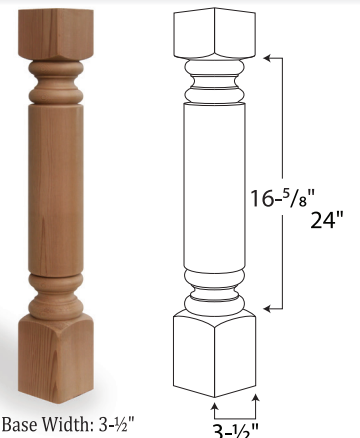
Base Width: 3-1/2"
Depth: 3-1/2"
Available Heights: 24", 28", 32", 36"
Decorative Turn Length: 15"
Cedar: SACS4, Treated: TSAC4

Designer Spindle – 4x4



Base Width: 3-1/2"
Depth: 3-1/2"
Available Heights: 24", 28", 32", 36"
Decorative Turn Length: 15-1/8"
Cedar: SDCS4, Treated: TSD4,
IPE: ISD4

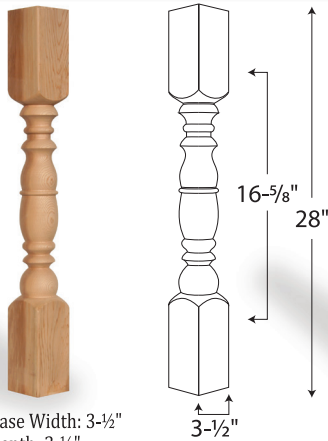
Greenville Spindle – 4x4



Base Width: 3-1/2"
Depth: 3-1/2"
Available Heights: 32", 36"
Decorative Turn Length: 24"
Cedar: SGCS4, Treated: TSG4, IPE: ISG4

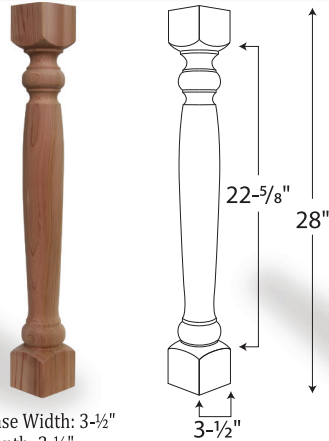
4x4 Spindles, cont.

Gurnee Spindle – 4x4



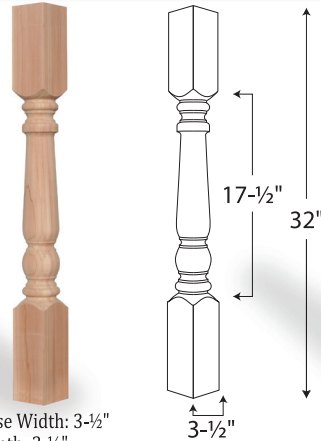
Base Width: 3-1/2"
Depth: 3-1/2"
Available Heights: 24", 28", 32", 36"
Decorative Turn Length: 16-5/8"
Cedar: SGUCS4, Treated: TSGU4

Hermosa Spindle – 4x4



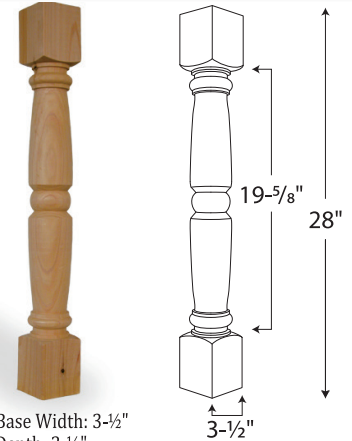
Base Width: 3-1/2"
Depth: 3-1/2"
Available Heights: 28", 32", 36"
Decorative Turn Length: 22-5/8"
Cedar: SHRCS4, Treated: TSHR4, IPE: ISHR4, Oak: OSHR4

Hogan Spindle – 4x4



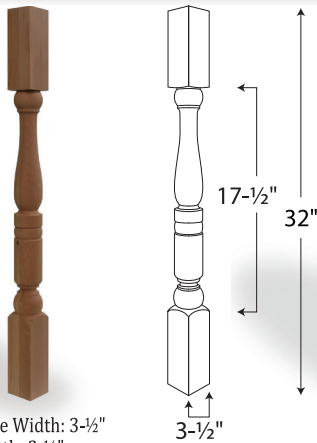
Base Width: 3-1/2"
Depth: 3-1/2"
Available Heights: 24", 28", 32", 36"
Decorative Turn Length: 17-1/2"
Cedar: SHOCS4, Treated: TSHO4, IPE: ISHO4

Horizon Spindle – 4x4



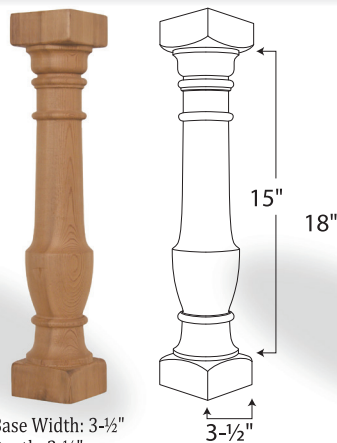
Base Width: 3-1/2"
Depth: 3-1/2"
Available Heights: 24", 28", 32", 36"
Decorative Turn Length: 19-5/8"
Cedar: SHCS4, Treated: TSH4, IPE: ISH4

Keller Spindle – 4x4



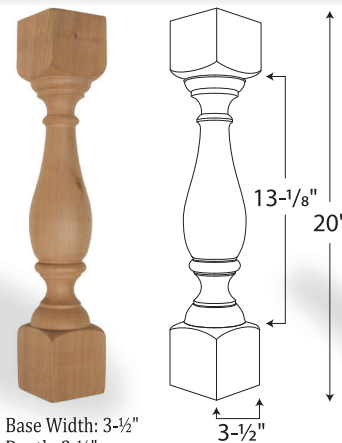
Base Width: 3-1/2"
Depth: 3-1/2"
Available Heights: 24", 28", 32", 36"
Decorative Turn Length: 17-1/2"
Cedar: SKCS4, Treated: TSK4

Knight Spindle – 4x4



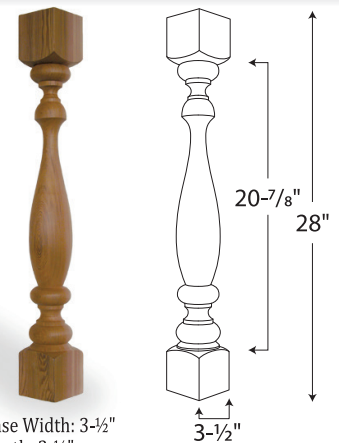
Base Width: 3-1/2"
Depth: 3-1/2"
Available Heights: 18", 24", 28", 32", 36"
Decorative Turn Length: 15"
Cedar: SKNCS4, Treated: TSKN4, IPE: ISKN4

Manhattan Spindle – 4x4



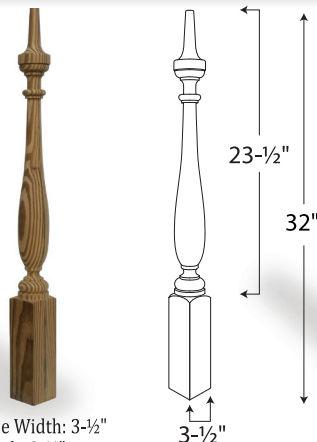
Base Width: 3-1/2"
Depth: 3-1/2"
Available Heights: 20", 24", 28", 32", 36"
Decorative Turn Length: 13-1/8"
Cedar: SMHCS4, Treated: TSMH4, IPE: ISMH4

Montgomery Spindle – 4x4



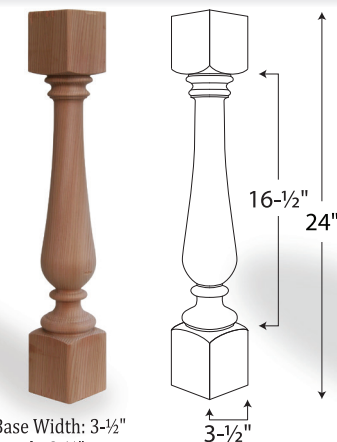
Base Width: 3-1/2"
Depth: 3-1/2"
Available Heights: 24", 28", 32", 36"
Decorative Turn Length: 20-7/8"
Cedar: SMNCS4, Treated: TSMN4, IPE: ISMN4

North Carolina Taper Top Spindle – 4x4



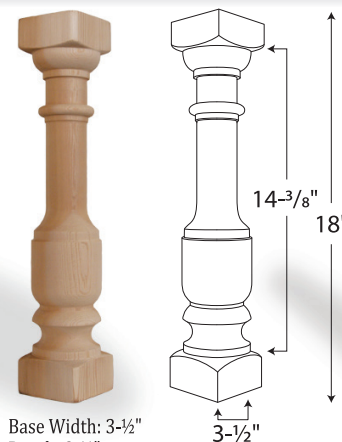
Base Width: 3-1/2"
Depth: 3-1/2"
Available Heights: 28", 32", 36"
Decorative Turn Length: 20-1/2"
Cedar: SNCS4, Treated: TSN4, IPE: ISNC4

Providence Spindle – 4x4



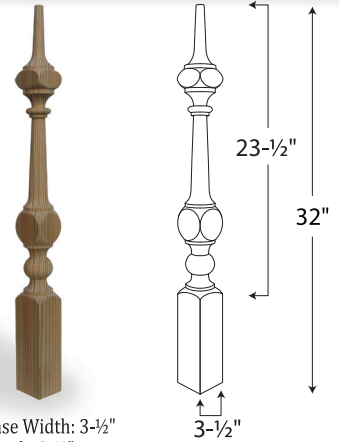
Base Width: 3-1/2"
Depth: 3-1/2"
Available Heights: 24", 28", 32", 36"
Decorative Turn Length: 16-1/2"
Cedar: SPVCS4, Treated: TSPV4, IPE: ISPV4

Rook Spindle – 4x4



Base Width: 3-1/2"
Depth: 3-1/2"
Available Heights: 18", 24", 28", 32", 36"
Decorative Turn Length: 14-3/8"
Cedar: SRKCS4, Treated: TSRK4, IPE: ISRK4

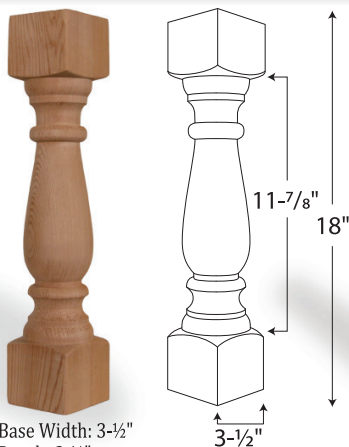
Sherman Taper Top – 4x4



Base Width: 3-1/2"
Depth: 3-1/2"
Available Heights: 32", 36"
Decorative Turn Length: 23-1/2"
Cedar: SST4, Treated: TSST4, IPE: ISST4, Oak: OSST4

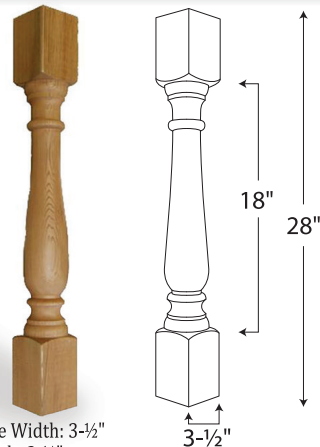
4x4 Spindles, cont.

Victorian 12 Spindle – 4x4



Base Width: 3-1/2"
 Depth: 3-1/2"
 Available Heights: 16", 18"
 Decorative Turn Length: 11-7/8"
 Cedar: SVICCS4, Treated: TSVIC4, IPE: ISVIC4

Victorian Spindle – 4x4



Base Width: 3-1/2"
 Depth: 3-1/2"
 Available Heights: 24", 28", 32", 36"
 Decorative Turn Length: 18"
 Cedar: SVCS4, Treated: TSV4, IPE: ISV4

Notes:

- 4" Cedar Spindles are made from clear grade, solid cedar. Pressure Treated Spindles are made from solid stock.
- 4" Spindles are 3-1/2" x 3-1/2".
- Actual length may be 1/4" shorter than what is listed above.
- The Decorative Turn Length of the spindle is on center, remaining length is equally divided between the base and head of the spindle. However, the remaining length the Taper Top Spindle is added to the base of the spindle.
- Additional lengths available upon request.

**Need to match an existing spindle,
 we can do that, too!**

Picket Fences

Cedar Fence Picket – Bull Nose



Base Width: 1-1/4"
 Available Heights: 36" up to 42"
 Cedar: CRBN2
 Note: Picket fences require assembly
 Choose any railings from pages 26-28

Cedar Fence Picket – Bullet Nose



Base Width: 1-1/4"
 Available Heights: 8" up to 36"
 Cedar: CRBLT2
 Note: Picket fences require assembly
 Choose any railings from pages 26-28

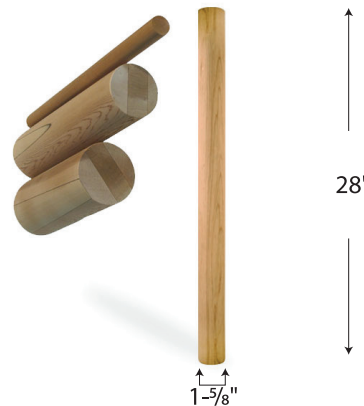
Balusters

Round Bullet Nose Baluster – 2x2



Base Width: 1-1/4"
 Depth: 1-1/4"
 Decorative Turn Length: 3-1/8"
 Cedar: CRBLT2, Redwood: RRBLT2

Round Balusters



Base Width: 1" x 1" up to 11" x 11"
 Available Heights: up to 48"
 Cedar: CD

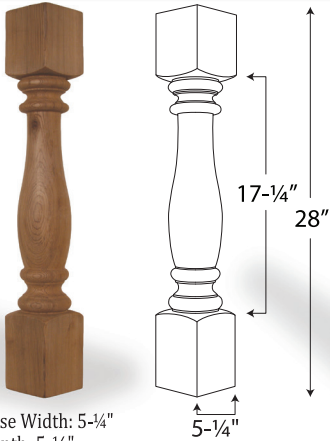
Square Balusters



Base Width: 1" x 1" up to 1-1/2" x 1-1/2"
 Available Heights: up to 36"
 Cedar: BDCB2, Redwood: BRWB2

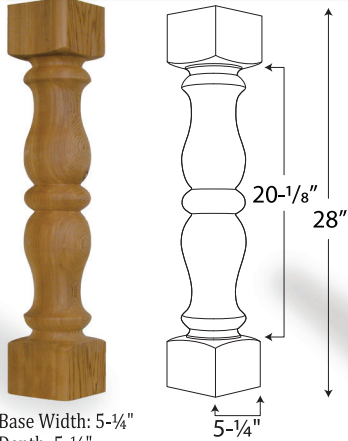
6x6 Spindles

Abaco Spindle – 6x6



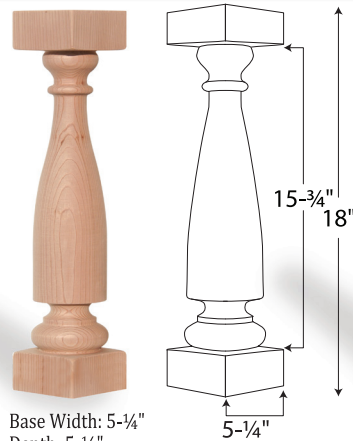
Base Width: 5-1/4"
Depth: 5-1/4"
Available Heights: 24", 28", 32", 36"
Decorative Turn Length: 17-1/4"
Cedar: SABCS6, Treated: TSAB6, IPE: ISAB6

Albany Spindle – 6x6



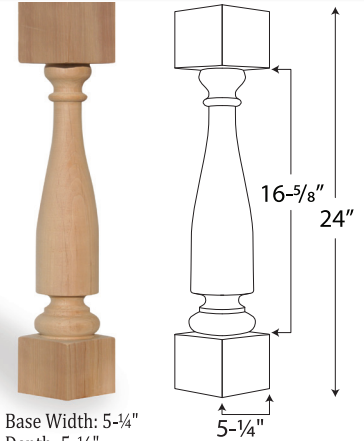
Base Width: 5-1/4"
Depth: 5-1/4"
Available Heights: 28", 32", 36"
Decorative Turn Length: 20-1/8"
Cedar: SALCS6, Treated: TSAL6, IPE: ISAL6

Bellmore 16 Spindle – 6x6



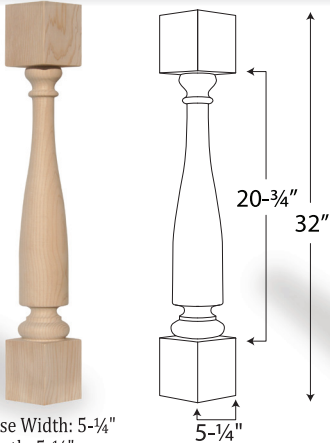
Base Width: 5-1/4"
Depth: 5-1/4"
Available Heights: 18", 24", 28", 32", 36"
Decorative Turn Length: 15-3/4"
Cedar: SBL16CS6, Treated: TSBL166

Bellmore 17 Spindle – 6x6



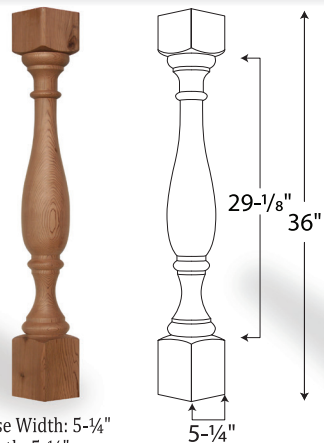
Base Width: 5-1/4"
Depth: 5-1/4"
Available Heights: 24", 28", 32", 36"
Decorative Turn Length: 16-5/8"
Cedar: SBL17CS6, Treated: TSBL176

Bellmore 21 Spindle – 6x6



Base Width: 5-1/4"
Depth: 5-1/4"
Available Heights: 28", 32", 36"
Decorative Turn Length: 20-3/4"
Cedar: SBL21CS6, Treated: TSBL216

Channing Spindle – 6x6



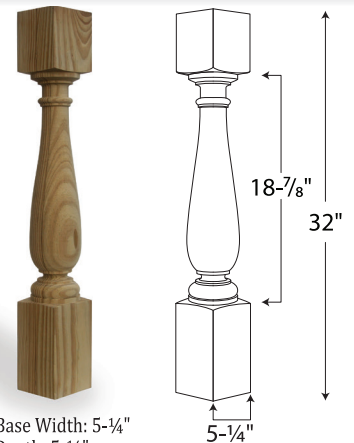
Base Width: 5-1/4"
Depth: 5-1/4"
Available Heights: 24", 28", 32", 36"
Decorative Turn Length: 29-1/8"
Cedar: SCHCS6, Treated: TSCH6

Charlotte Low Country Spindle – 6x6



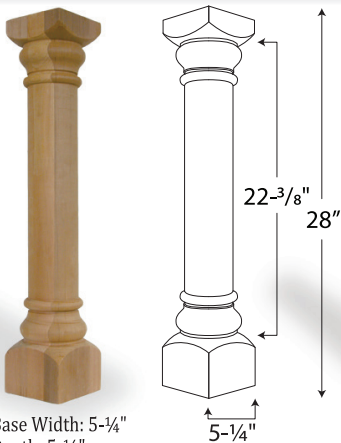
Base Width: 5-1/4"
Depth: 5-1/4"
Available Heights: 24", 28", 32", 36"
Decorative Turn Length: 15"
Cedar: SCCCS6, Treated: TSCC6, IPE: ISCC6

Charlotte Square Top Spindle – 6x6



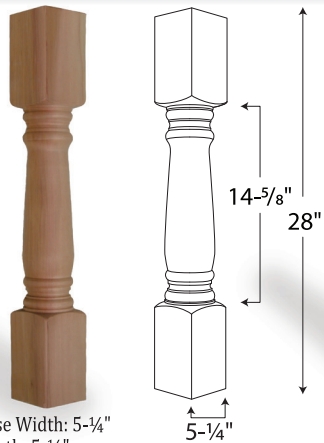
Base Width: 5-1/4"
Depth: 5-1/4"
Available Heights: 24", 28", 32", 36"
Decorative Turn Length: 18-7/8"
Cedar: SCSCS6, Treated: TSCS6, IPE: ISCS6, Oak: OSCS6

Charter Spindle – 6x6



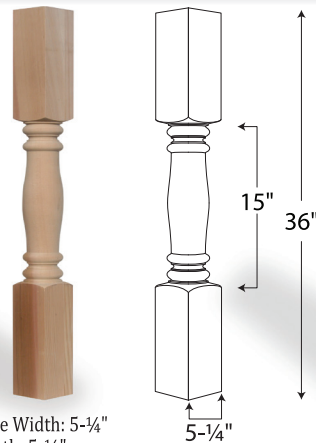
Base Width: 5-1/4"
Depth: 5-1/4"
Available Heights: 24", 28", 32", 36"
Decorative Turn Length: 22-3/8"
Cedar: SCTCS6, Treated: TSCT6

Colonial Spindle – 6x6



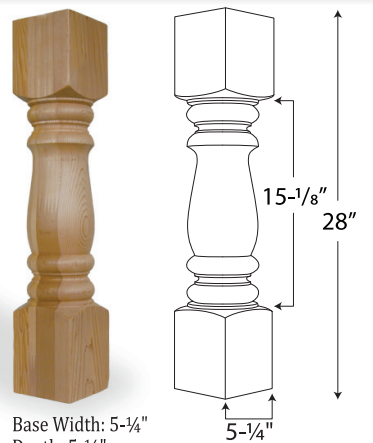
Base Width: 5-1/4"
Depth: 5-1/4"
Available Heights: 24", 28", 32", 36"
Decorative Turn Length: 14-5/8"
Cedar: SLCS6, Treated: TSC6, IPE: ISC6

Contemporary Spindle – 6x6



Base Width: 5-1/4"
Depth: 5-1/4"
Available Heights: 24", 28", 32", 36"
Decorative Turn Length: 15"
Cedar: SACS6, Treated: TSAC6

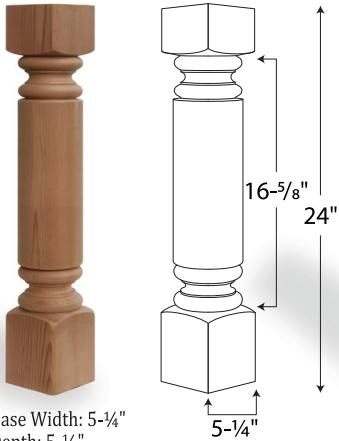
Designer Spindle – 6x6



Base Width: 5-1/4"
Depth: 5-1/4"
Available Heights: 24", 28", 32", 36"
Decorative Turn Length: 15-1/8"
Cedar: SDCS6, Treated: TSD6

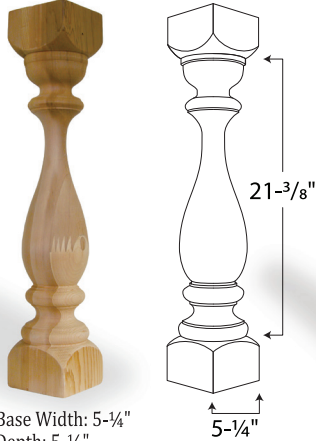
6x6 Spindles, cont.

Greenville Spindle – 6x6



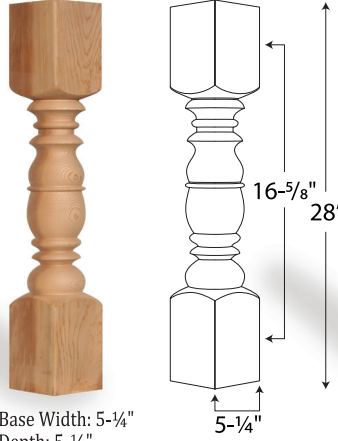
Base Width: 5-1/4"
Depth: 5-1/4"
Available Heights: 28", 32", 36"
Decorative Turn Length: 16-5/8"
Cedar: SGCS6, Treated:TSG6, IPE: ISG6

Gulf Shore Spindle – 6x6



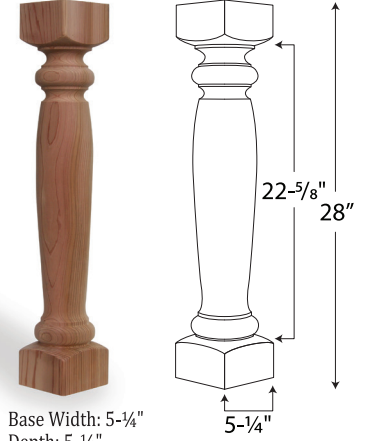
Base Width: 5-1/4"
Depth: 5-1/4"
Available Heights: 24", 28", 32", 36"
Decorative Turn Length: 21-3/8"
Cedar: SGCS6, Treated: TSG6

Gurnee Spindle – 6x6



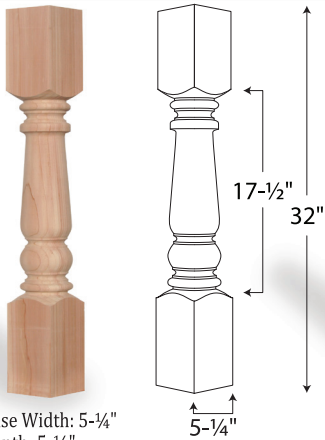
Base Width: 5-1/4"
Depth: 5-1/4"
Available Heights: 28", 32", 36"
Decorative Turn Length: 16-5/8"
Cedar: SGUCS6, Treated: TSGU6, IPE: ISGU6,
Oak: OSGU6

Hermosa Spindle – 6x6



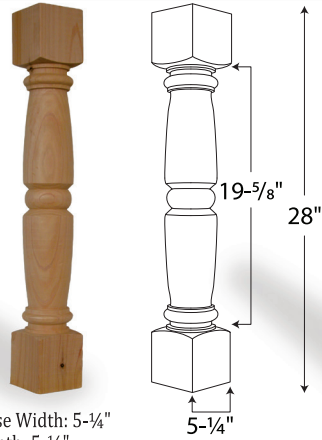
Base Width: 5-1/4"
Depth: 5-1/4"
Available Heights: 28", 32", 36"
Decorative Turn Length: 22-5/8"
Cedar: SHRCS6, Treated: TSHR6, IPE: ISHR6,
Oak: OSHR6

Hogan Spindle – 6x6



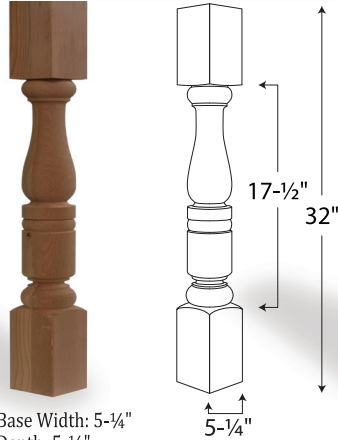
Base Width: 5-1/4"
Depth: 5-1/4"
Available Heights: 24", 28", 32", 36"
Decorative Turn Length: 17-1/2"
Cedar: SHOCS6, Treated: TSHO6

Horizon Spindle – 6x6



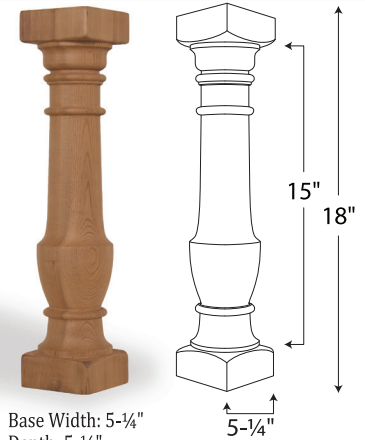
Base Width: 5-1/4"
Depth: 5-1/4"
Available Heights: 18", 24", 28", 32", 36"
Decorative Turn Length: 19-5/8"
Cedar: SHCS6, Treated: TSH6, IPE: ISH6

Keller Spindle – 6x6



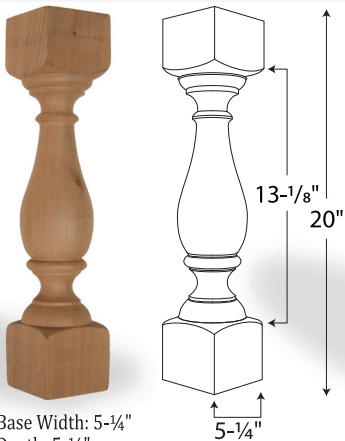
Base Width: 5-1/4"
Depth: 5-1/4"
Available Heights: 24", 28", 32", 36"
Decorative Turn Length: 17-1/2"
Cedar: SKCS6, Treated: TSK6

Knight Spindle – 6x6



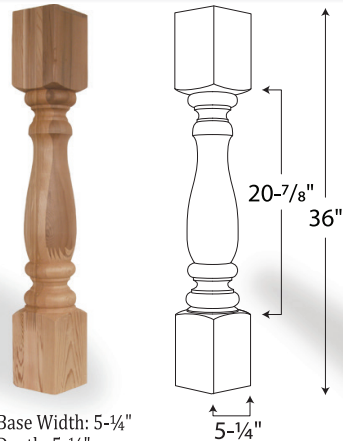
Base Width: 5-1/4"
Depth: 5-1/4"
Available Heights: 18", 24", 28", 32", 36"
Decorative Turn Length: 15"
Cedar: SKNCS6, Treated: TSKN6, IPE: ISKN,
Hemlock: 6HKHS6

Manhattan Spindle – 6x6



Base Width: 5-1/4"
Depth: 5-1/4"
Available Heights: 28", 32", 36"
Decorative Turn Length: 13-1/8"
Cedar: SMHCS6, Treated: TSMH6, IPE: ISMH6

Montgomery Spindle – 6x6



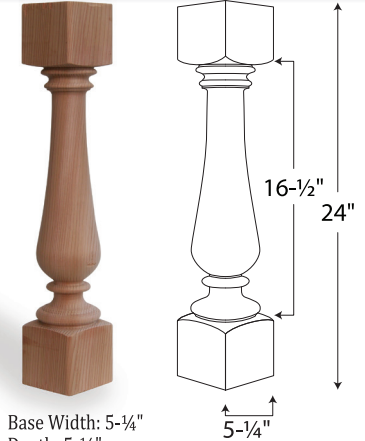
Base Width: 5-1/4"
Depth: 5-1/4"
Available Heights: 28", 32", 36"
Decorative Turn Length: 20-7/8"
Cedar: SMNCS6, Treated: TSMN6, IPE: ISMN6

North Carolina Taper Top Spindle – 6x6



Base Width: 5-1/4"
Depth: 5-1/4"
Available Heights: 32", 36"
Decorative Turn Length: 23-1/2"
Cedar: SNCS6, Treated: TSN6, IPE: ISNC6,
Oak: OSNC6

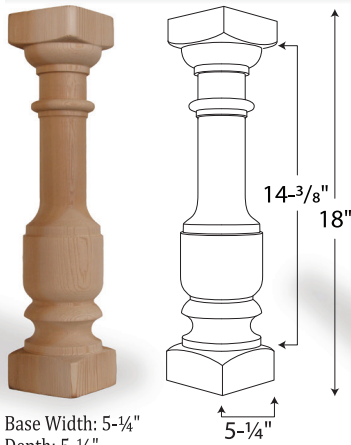
Providence – 6x6



Base Width: 5-1/4"
Depth: 5-1/4"
Available Heights: 24", 28", 32", 36"
Decorative Turn Length: 16-1/2"
Cedar: SPVCS6, Treated: TSPV6, IPE: ISPV6

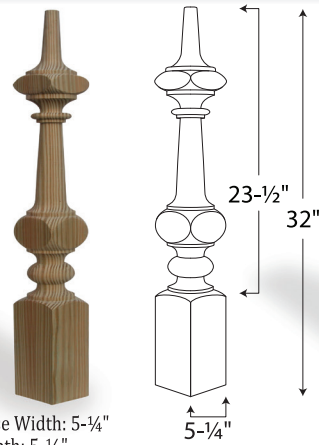
6x6 Spindles, cont.

Rook Spindle – 6x6



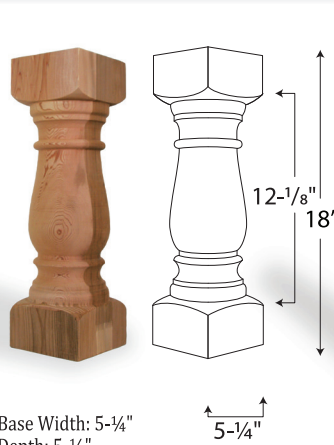
Base Width: 5-1/4"
Depth: 5-1/4"
Available Heights: 18", 24", 28", 32", 36"
Decorative Turn Length: 14-3/8"
Cedar: SRKCS6, Treated: TSRK6, IPE: ISRK6

Sherman Taper Top Spindle – 6x6



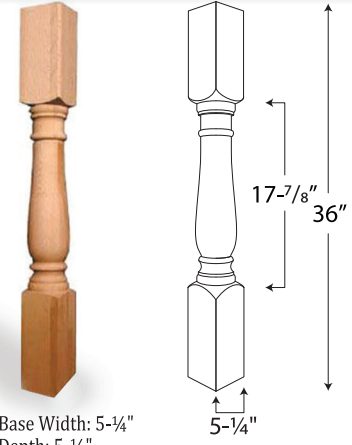
Base Width: 5-1/4"
Depth: 5-1/4"
Available Heights: 32", 36"
Decorative Turn Length: 23-1/2"
Cedar: SSTS6, Treated: TSST6, IPE: ISST6, Oak: OSST6

Victorian 12 Spindle – 6x6



Base Width: 5-1/4"
Depth: 5-1/4"
Available Heights: 16", 18"
Decorative Turn Length: 12-1/8"
Cedar: SVICCS6, Treated: TSVIC6

Victorian Spindle – 6x6



Base Width: 5-1/4"
Depth: 5-1/4"
Available Heights: 24", 28", 32", 36"
Decorative Turn Length: 17-7/8"
Cedar: SVCS6, Treated: TSV6, IPE: ISV6, Oak: OSV6

Westwood Spindle – 6x6



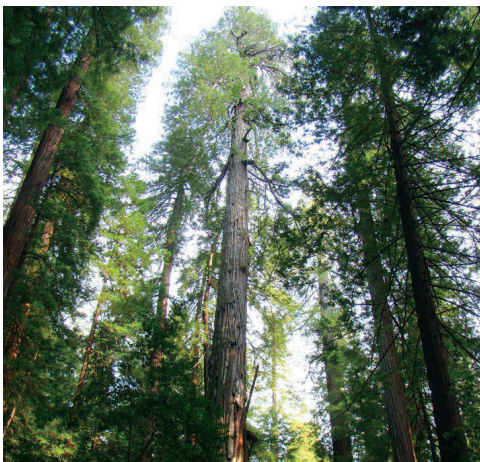
Base Width: 5-1/4"
Depth: 5-1/4"
Available Heights: 16", 18"
Decorative Turn Length: 24"
Cedar: SWCS6

Notes:

- Cedar is a clear, kiln dried, finger joint, laminate material.
- 6x6 Spindles are 5-1/4" x 5-1/4".
- Actual length may be 1/4" shorter than what is listed above.
- The Decorative Turn Length of the spindle is on center, remaining length is equally divided between the base and head of the spindle. However, the remaining length the Taper Top Spindle is added to the base of the spindle.
- Additional lengths available upon request.

Need to match an existing spindle, we can do that, too!

Why Choose Redwood?



The three redwood subfamily genera are: *Sequoia* and *Sequoiadendron* of California and Oregon, USA; and *Metasequoia* in China.

Redwood's versatile beauty and durability have made it one of today's classic building materials. It's one wood that is appealing in any architectural style, whether it be a traditional or contemporary. Redwood is unmatched in its long lasting elegant appearance by any other wood species or synthetic building materials including woods treated with chemicals.

The supply of redwood has been a concern for many years. They are the best protected tree in the United States. Trees that are four to ten years old normally grow two to six feet per year. Responsible logging practices will provide an

abundant supply of redwood for years to come.

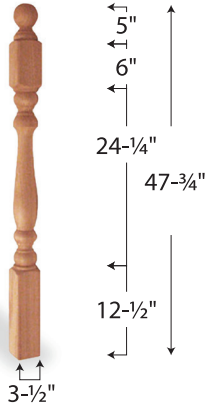
The advantages of using redwood for exterior application have been known for many years. The inherent natural chemicals it contains gives redwood a unique resistance to decay.

Redwood Characteristics:

- Moderately to very durable regarding decay resistance
- Very soft and lightweight – decent strength to weight ratio
- Exceptionally stable
- Very little shrinkage or seasonal movement

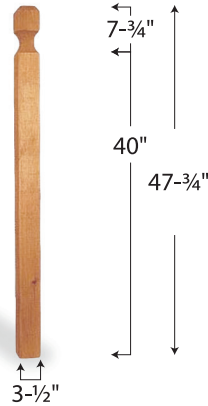
4x4 Newels & Decos

Boise Newel – 4x4



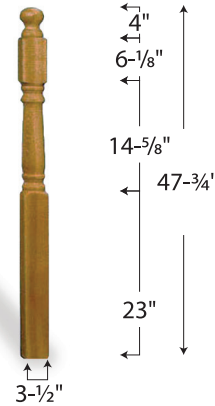
Base Width: 3-1/2"
Depth: 3-1/2"
Available Heights: 48", 54"
Decorative Turn Length: 24-1/4"
Cedar: NDCBBN4, Treated: TSBBN4

Cascade Deco – 4x4



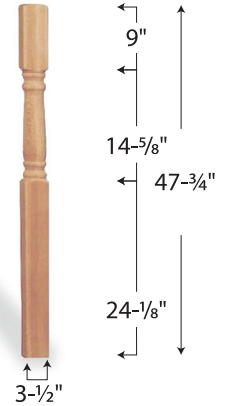
Base Width: 3-1/2"
Depth: 3-1/2"
Available Heights: 48", 54"
Decorative Turn Length: N/A
Cedar: DCC4

Colonial Newel with Ball Top – 4x4



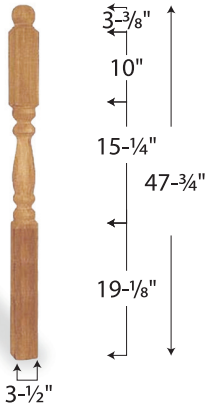
Base Width: 3-1/2"
Depth: 3-1/2"
Available Heights: 48", 54"
Decorative Turn Length: 14-5/8"
Cedar: NDCBN4, Treated: TSCBN4

Colonial Newel – 4x4



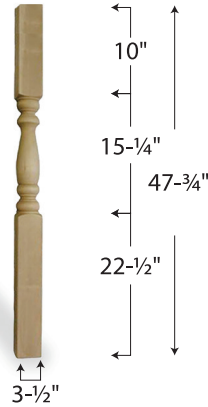
Base Width: 3-1/2"
Depth: 3-1/2"
Available Heights: 48", 54"
Decorative Turn Length: 14-5/8"
Cedar: NDCN4, Treated: TSCN4

Designer Newel with Ball Top – 4x4



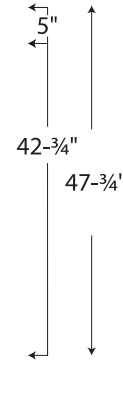
Base Width: 3-1/2"
Depth: 3-1/2"
Available Heights: 48", 54"
Decorative Turn Length: 15-1/4"
Cedar: NDCDBN4, Treated: TSDBN4

Designer Newel – 4x4



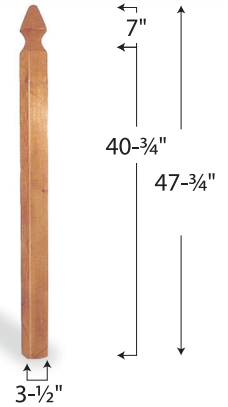
Base Width: 3-1/2"
Depth: 3-1/2"
Available Heights: 48", 54"
Decorative Turn Length: 15-1/4"
Cedar: NDCDN4, Treated: TSDN4

Double V-Groove Deco – 4x4



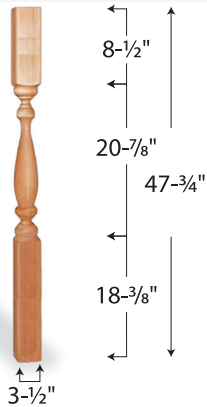
Base Width: 3-1/2"
Depth: 3-1/2"
Available Heights: 48", 54"
Decorative Turn Length: N/A
Cedar: DCDVG4, Treated: TSDVD4

Gothic Deco – 4x4



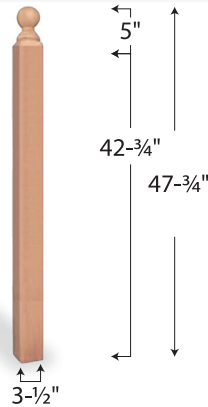
Base Width: 3-1/2"
Depth: 3-1/2"
Available Heights: 48", 54"
Decorative Turn Length: N/A
Cedar: DCG4 Treated: TSGD4

Montgomery Newel – 4x4



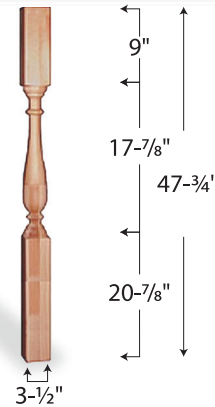
Base Width: 3-1/2"
Depth: 3-1/2"
Available Heights: 48", 54"
Decorative Turn Length: 20-7/8"
Cedar: NDCMN4

Square Newel with Ball Top – 4x4



Base Width: 3-1/2"
Depth: 3-1/2"
Available Heights: 48", 54"
Decorative Turn Length: N/A
Cedar: NDCBSN4

Victorian Newel – 4x4



Base Width: 3-1/2"
Depth: 3-1/2"
Available Heights: 48", 54"
Decorative Turn Length: 17-7/8"
Cedar: NDCVN4

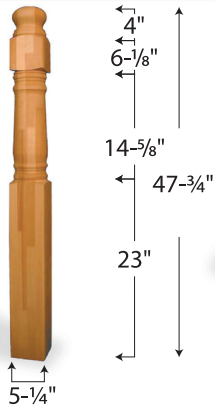
Notes:

- Newels are made from clear grade, solid cedar.
- 4" Newels are 3-1/2" x 3-1/2".
- Actual length may be 1/4" shorter than what is listed above.
- Additional lengths available upon request.

Need to match an existing newel or deco, we can do that, too!

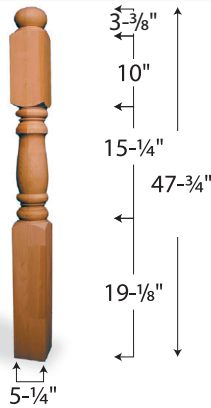
6x6 Newels & Decos

Colonial Newel with Ball Top – 6x6



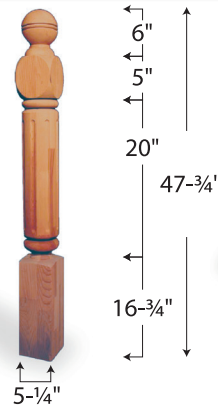
Base Width: 5-1/4"
Depth: 5-1/4"
Available Heights: 48", 54", 60"
Decorative Turn Length: 14-5/8"
Cedar; NDCBN6

Designer Newel with Ball Top – 6x6



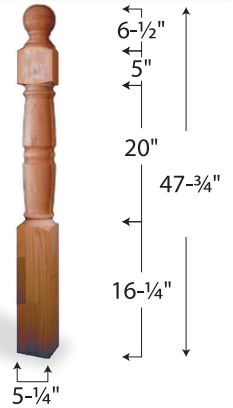
Base Width: 5-1/4"
Depth: 5-1/4"
Available Heights: 48", 54", 60"
Decorative Turn Length: 15-1/4"
Cedar, NDCBN6, Treated: TSDBN6

Fluted Empire Newel with Ball Top – 6x6



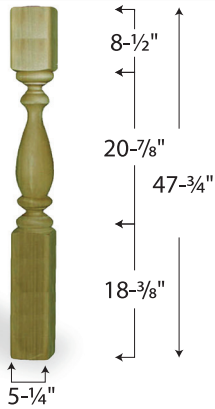
Base Width: 5-1/4"
Depth: 5-1/4"
Available Heights: 48", 54", 60"
Decorative Turn Length: 20"
Cedar; NDCEBN6F
Available with and without flutes

Horizon Newel – 6x6



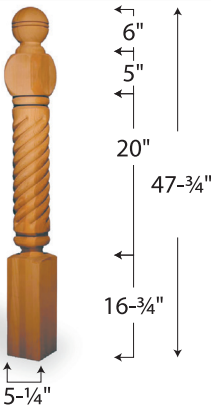
Base Width: 5-1/4"
Depth: 5-1/4"
Available Heights: 48", 54", 60"
Decorative Turn Length: 20"
Cedar; NDCHN6

Montgomery Newel – 6x6



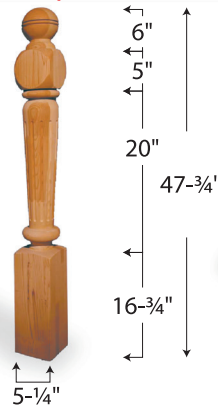
Base Width: 5-1/4"
Depth: 5-1/4"
Available Heights: 48", 54", 60"
Decorative Turn Length: 20-7/8"
Cedar; NDCMN6, Treated: TSMN6

Rope Twist Newel with Ball Top – 6x6



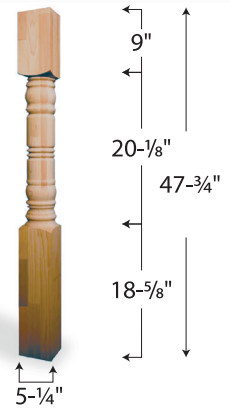
Base Width: 5-1/4"
Depth: 5-1/4"
Available Heights: 48", 54", 60"
Decorative Turn Length: 20"
Cedar; NDCRN6

San Francisco Fluted Newel with Ball Top – 6x6



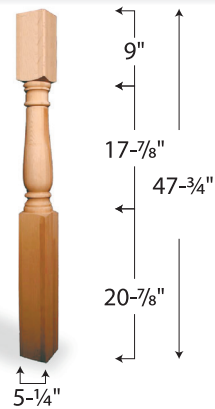
Base Width: 5-1/4"
Depth: 5-1/4"
Available Heights: 48", 54", 60"
Decorative Turn Length: 20"
Cedar; NDSCFBN6F
Available with and without flutes

Traditional Newel – 6x6



Base Width: 5-1/4"
Depth: 5-1/4"
Available Heights: 48", 54", 60"
Decorative Turn Length: 20-1/8"
Cedar; NDCTN6

Victorian Newel – 6x6



Base Width: 5-1/4"
Depth: 5-1/4"
Available Heights: 48", 54", 60"
Decorative Turn Length: 17-7/8"
Cedar; NDCVN6

Notes:

- Cedar is a clear, kiln dried, finger joint, laminate material.
- 6" Newels are 5-1/4" x 5-1/4".
- Actual length may be 1/4" shorter than what is listed above.
- Additional lengths available upon request.

Need to match an existing newel or deco, we can do that, too!

Why Choose Pressure Treated?

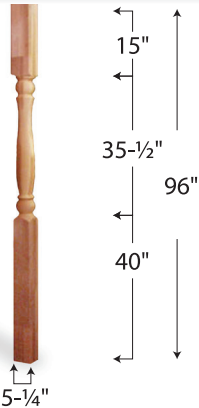


Pressure Treated Characteristics:

- Copper azole – water-based wood preservative that act as a fungicide and insecticide
- Used for treating southern pine, red pine, ponderosa pine, hem-fir and douglas fir
- For use in above ground applications
- Use hot dipped galvanized or stainless steel fasteners and fittings
- Can be painted or stained with any high quality oil or latex based paint or stain
- Ensure wood is dry and free from surface deposits before finishing

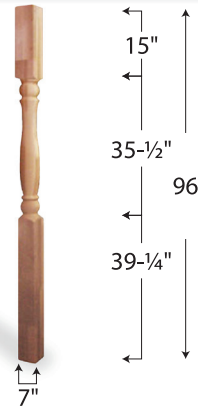
Porch Post & Columns

Carlson Porch Post – 6x6



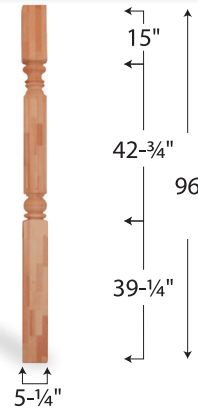
Base Width: 5-1/4", Depth: 5-1/4"
 Available Heights: 96", 108", 120"
 96" Post: Head = 15", 108" Post: Head = 24",
 120" Post: Head = 32"
 Decorative Turn Length: 35-1/2"
 Cedar: PDCCP6, Treated: TSCP6

Carlson Porch Post – 8x8



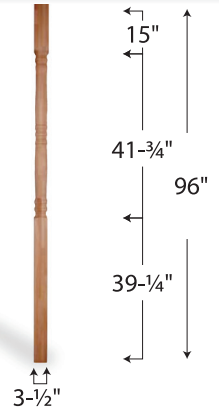
Base Width: 7", Depth: 7"
 Available Heights: 96", 108", 120"
 96" Post: Head = 15", 108" Post: Head = 24",
 120" Post: Head = 32"
 Decorative Turn Length: 35-1/4"
 Cedar: PDCCP8

Empire Porch Post – 6x6



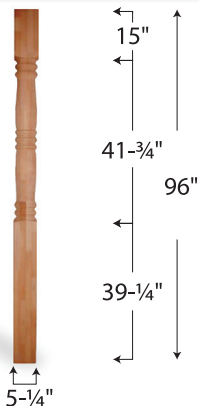
Base Width: 5-1/4", Depth: 5-1/4"
 Available Heights: 96", 108", 120"
 96" Post: Head = 15", 108" Post: Head = 24",
 120" Post: Head = 32"
 Decorative Turn Length: 42-1/4"
 Cedar: PDCEP6

Montgomery Porch Post – 4x4



Base Width: 3-1/4", Depth: 3-1/4"
 Available Heights: 96", 108", 120"
 96" Post: Head = 15", 108" Post: Head = 24",
 120" Post: Head = 32"
 Decorative Turn Length: 41-3/4"
 Cedar: PDCMP4, Treated: TSMP4

Montgomery Porch Post – 6x6



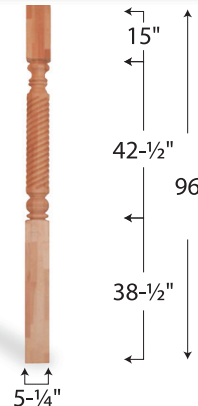
Base Width: 5-1/4", Depth: 5-1/4"
 Available Heights: 96", 108", 120"
 96" Post: Head = 15", 108" Post: Head = 24",
 120" Post: Head = 32"
 Decorative Turn Length: 41-3/4"
 Cedar: PDCMP6

Montgomery Porch Post – 8x8



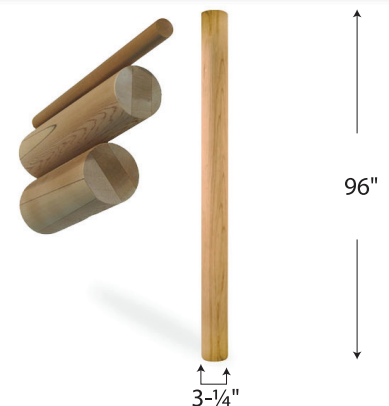
Base Width: 7", Depth: 7"
 Available Heights: 96", 108", 120"
 96" Post: Head = 15", 108" Post: Head = 24",
 120" Post: Head = 32"
 Decorative Turn Length: 41-3/4"
 Cedar: PDCMP8, Treated: TSMP8

Rope Twist Porch Post – 6x6



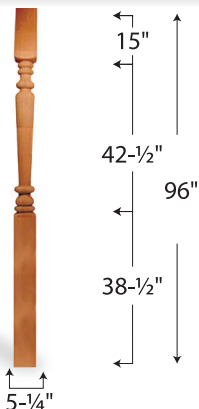
Base Width: 5-1/4", Depth: 5-1/4"
 Available Heights: 96", 108", 120"
 96" Post: Head = 15", 108" Post: Head = 24",
 120" Post: Head = 32"
 Decorative Turn Length: 42-1/4"
 Cedar: PDCRTP6

Round Columns



Base Width: 3-1/4" x 3-1/4" up to 11" x 11"
 Available Heights: up to 10'
 Decorative Turn Length: N/A
 Cedar: CRC

San Francisco Porch Post – 6x6



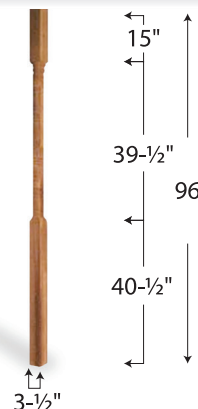
Base Width: 5-1/4", Depth: 5-1/4"
 Available Heights: 96", 108", 120"
 96" Post: Head = 15", 108" Post: Head = 24",
 120" Post: Head = 32"
 Decorative Turn Length: 42-1/4"
 Cedar: PDSCF6
 Available with and without flutes

Square Columns



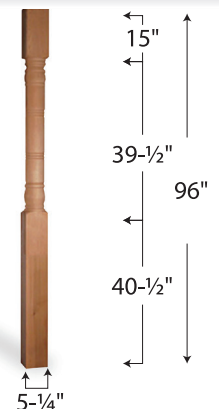
Base Width: 3-1/4" x 3-1/4" up to 11-1/4" x 11-1/4"
 Available Heights: up to 10'
 Decorative Turn Length: N/A
 Cedar: CSC

Traditional Porch Post – 4x4



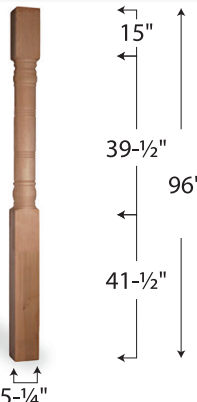
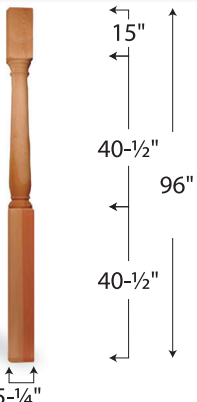
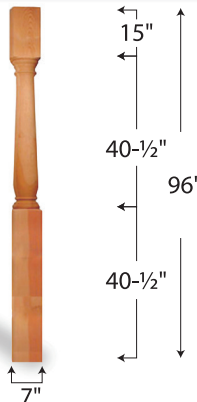
Base Width: 3-1/4", Depth: 3-1/4"
 Available Heights: 96", 108", 120"
 96" Post: Head = 15", 108" Post: Head = 24",
 120" Post: Head = 32"
 Decorative Turn Length: 39-1/4"
 Cedar: PDPCP4, Treated: TSP4

Traditional Porch Post – 6x6



Base Width: 5-1/4", Depth: 5-1/4"
 Available Heights: 96", 108", 120"
 96" Post: Head = 15", 108" Post: Head = 24",
 120" Post: Head = 32"
 Decorative Turn Length: 39-1/4"
 Cedar: PDPCP6, Treated: TSP6

Porch Post & Columns, cont.

Traditional Porch Post – 8x8	Victorian Porch Post – 6x6	Victorian Porch Post – 8x8
		
<p>Base Width: 7", Depth: 7" Available Heights: 96", 108", 120" 96" Post: Head = 15", 108" Post: Head = 24", 120" Post: Head = 32" Decorative Turn Length: 39-1/2" Cedar: PDCP8</p>	<p>Base Width: 5-1/4", Depth: 5-1/4" Available Heights: 48", 54", 60" 96" Post: Head = 15", 108" Post: Head = 24", 120" Post: Head = 32" Decorative Turn Length: 40-1/2" Cedar: PDCVP6</p>	<p>Base Width: 7", Depth: 7" Available Heights: 96", 108", 120" 96" Post: Head = 15", 108" Post: Head = 24", 120" Post: Head = 32" Decorative Turn Length: 40-1/2" Cedar: PDCVP8</p>

Notes:

- 6x6 Cedar is a clear, kiln dried, finger joint, laminate material.
- 4x4 Cedar is clear grade solid cedar.
- 4x4 Porch Posts are 3-1/2" x 3-1/2".
- 6x6 Porch Posts are 5-1/4" x 5-1/4".
- Actual length may be 1/4" shorter than what is listed above.
- Additional lengths available upon request.

Need to match an existing porch post,
we can do that, too!



MrSpindle.com
1-800-487-9663

5936 53rd Ave S.
 Fargo, ND 58104

Quattro Posts

6x6 Pine Primed Quattro Posts	8x8 Pine Primed Quattro Posts	8x8 Knotty Cedar Primed Quattro Posts	6x6 Pine Designer Square Quattro Newel
			
<p>Height: 96" Base Width: 5-1/2" Depth: 5-1/2" Pine: P696H Notes: Comb Texture Primed Quattro Posts</p>	<p>Height: 120" Base Width: 7-1/2" Depth: 7-1/2" Pine: P8120H Notes: Comb Texture Primed Quattro Posts</p>	<p>Height: 120" Base Width: 7-1/2" Depth: 7-1/2" Knotty Cedar: CK120H Notes: Comb Texture Primed Quattro Posts</p>	<p>Base Width: 5-1/4" Depth: 5-1/4" Available Heights: 48", 54", 60" Decorative Turn Length: 15-1/8" Cedar: PN648H Also available in Colonial Pattern</p>

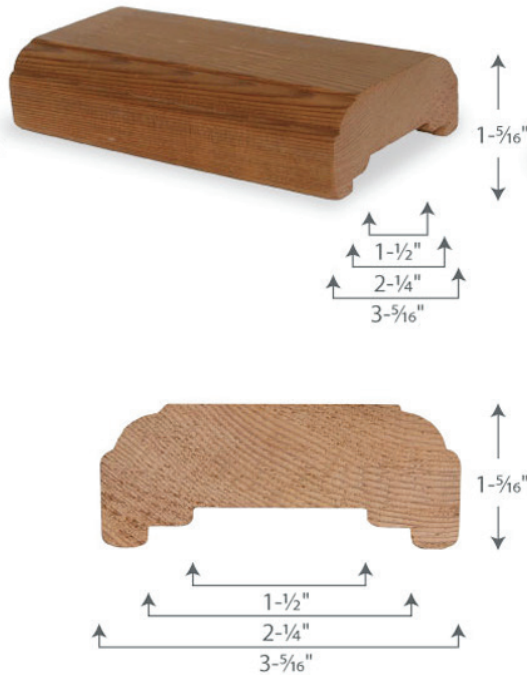
Handrails

Atlanta Handrail – 4x4



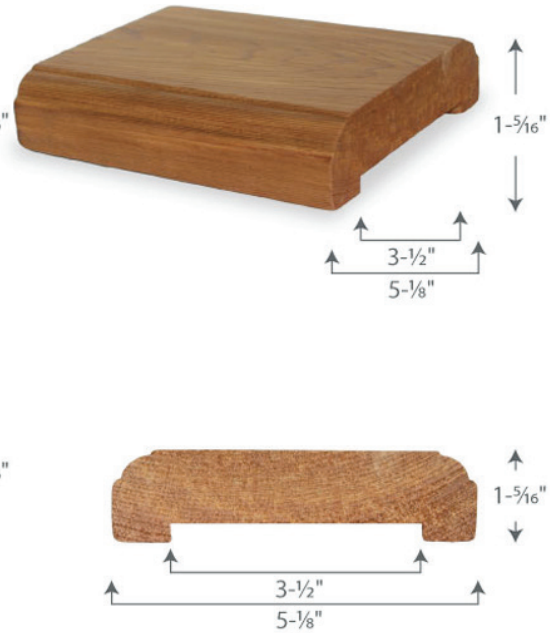
Height: 3-1/8"
Base Width: 3-1/8"
Available Lengths: 72", 96", 120"
Cedar: RDCAR4

Configured Handrail – 2x4



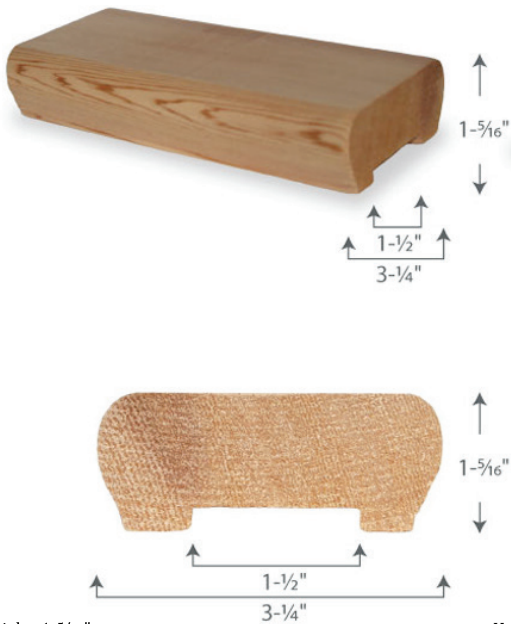
Height: 1-5/16"
Base Width: 3-5/16"
Plows: 1-1/2", 2-1/4"
Available Lengths: 72", 96", 120", 144"
Cedar: RDCCR24

Configured Handrail – 2x6



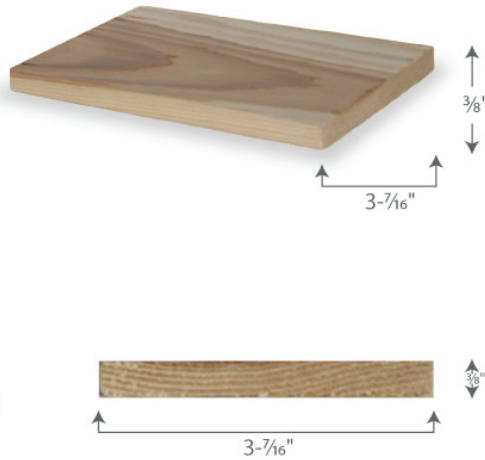
Height: 1-5/16"
Base Width: 5-1/8"
Plow: 3-1/2"
Available Lengths: 72", 96", 120"
Cedar: RDCCR26, Treated: TCC26

Designer Handrail – 2x4



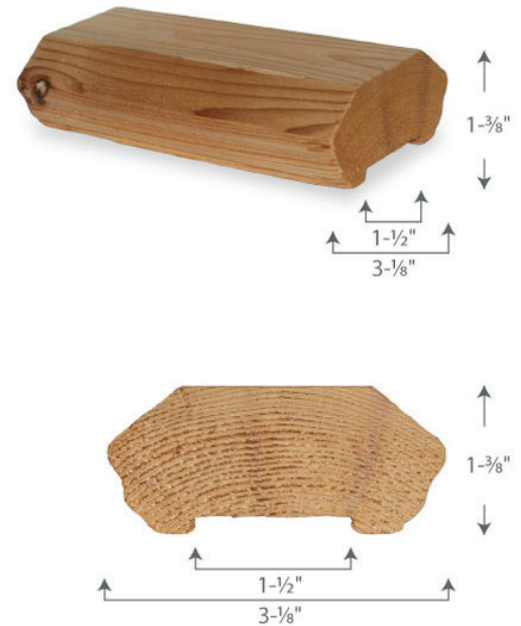
Height: 1-5/16"
Base Width: 3-1/4"
Plow: 1-1/2"
Available Lengths: 72", 96", 120", 144"
Cedar: RDCDR24

Fillet Railing – x 3-7/16



Height: 3/8"
Base Width: 3-7/16"
Available Length: 96"
Cedar: RDCF, Treated: TRF

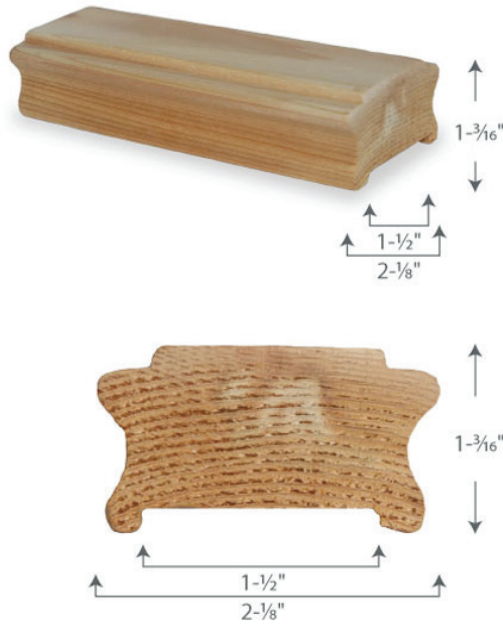
Georgia Handrail – 2x4



Height: 1-3/8"
Base Width: 3-1/8"
Plow: 1-1/2"
Available Length: 96"
Cedar: RDCGR24

Handrails, cont.

Georgia Insert – 2x3



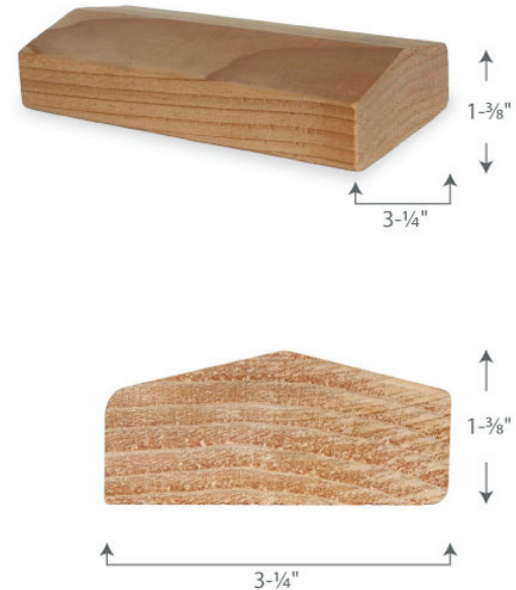
Height: 1-3/16"
Base Width: 2-1/8"
Plow: 1-1/2"
Available Length: 96"
Cedar: RDCGRI23

Graspable Handrail – 3x3



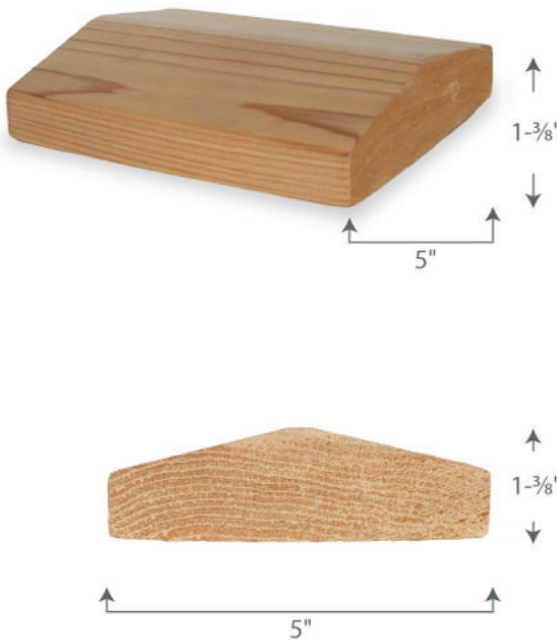
Height: 2-1/4"
Base Width: 2-1/8"
Plow: 1-5/8" available in the 72" length only
A plow is not offered in the other lengths.
Available Length: 72", 96" & 120"
Treated: TGR3, Hemlock: HGR3

Taper Top Rail – 2x4



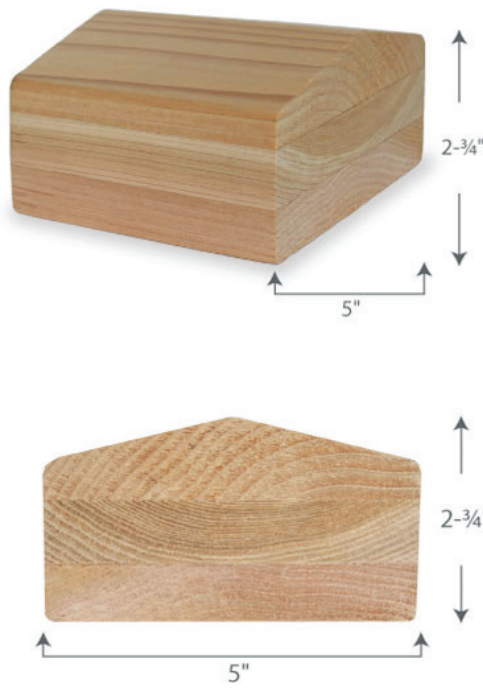
Height: 1-3/8"
Base Width: 3-1/4"
Available Length: 96"
Cedar: RDCTTR24

Taper Top Rail – 2x5



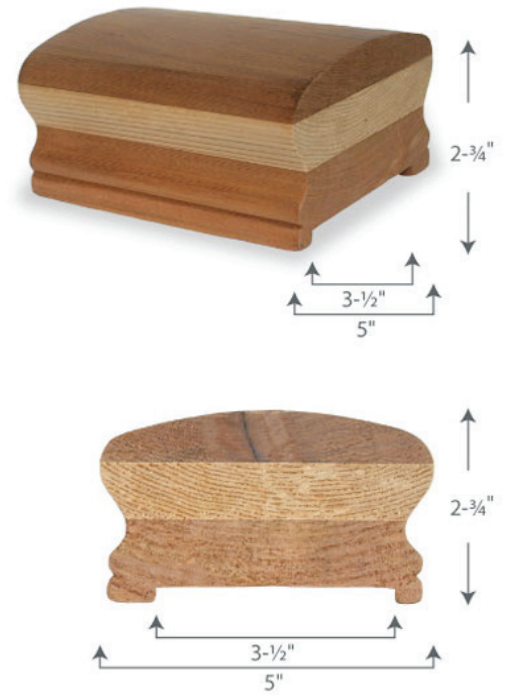
Height: 1-3/8"
Base Width: 5"
Available Length: 96"
Cedar: RDCTTR26

Taper Top Rail – 3x5



Height: 2-3/4"
Base Width: 5"
Available Lengths: 72", 96", 120"
Cedar: RDCTTR35

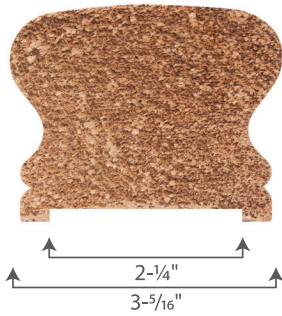
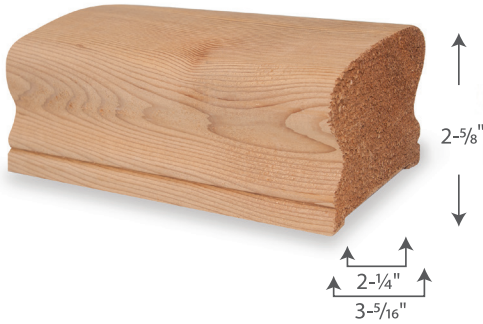
Tuscany Handrail – 3x5



Height: 2-3/4"
Base Width: 5"
Plow: 3-1/2"
Available Lengths: 72", 96", 120"
Cedar: RTDC35, Treated: TTR35

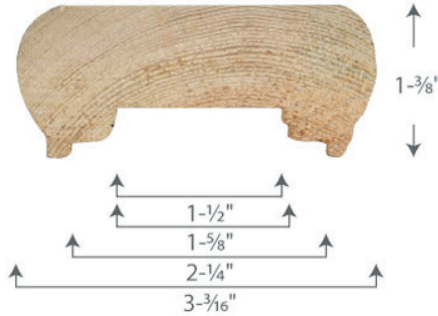
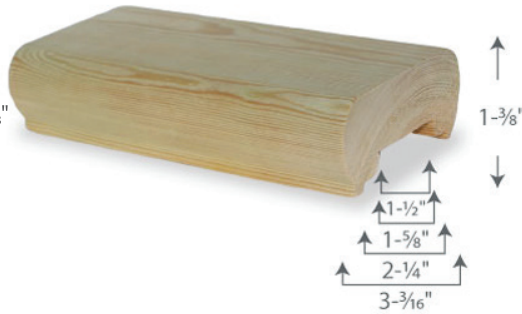
Handrails, cont.

Tuscany Handrail – 4x4



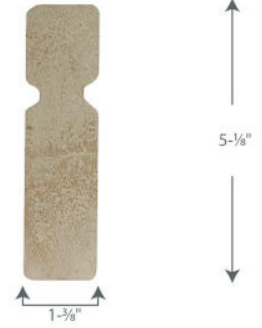
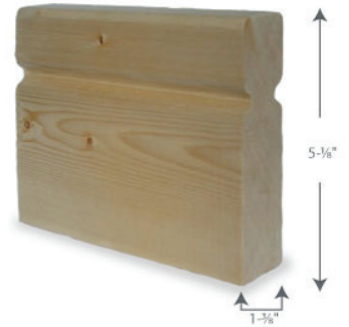
Height: 2-5/8"
 Base Width: 3-5/16"
 Available Length: 72", 96", 120"
 Cedar: RTKC44

Vancouver Handrail – 2x4



Height: 1-3/8"
 Base Width: 3-3/16"
 Plows: 1-1/2", 1-5/8", 2-1/4"
 Available Lengths: 72", 96", 120", 144"
 Treated: TVR24

Vertical Handrail – 2x6



Height: 5-1/8"
 Base Width: 1-3/8"
 Available Length: 96"
 Treated: TVR26

Why Choose IPE?



Discover the unique properties that make Iron Woods® IPE an easy choice for any project. Iron Woods® brand IPE naturally resists wear, rot, splintering, termites, fire, chemicals, marine borers and virtually every other threat imaginable. And it does it beautifully. Iron Woods® brand IPE is the benchmark in residential and commercial wood products.

This Brazilian species of IPE, *Tabebuia spp-Lapacho*, is one of the most stable of all the

durable timbers. It dries extremely well with little checking, twisting, or bow. It is widely recognized for its strength and natural resistance to decay. It can be used in ground contact without preservatives or additional treatments. The timber has been tested by the US Navy in a Panama Canal study from 1962 showing IPE to be one of the top performers in resistance to decay, termites, and borers. Of those tested, it was one of the very few that is readily commercially available. Widely used in commercial exterior construction such as boardwalks, piers and benches, it has recently become the best choice for residential decks due to its low maintenance, attractive color, and extremely smooth surface that has stood the test of time. It is a heavy timber, approximately 69 lbs. per cubic foot when dry, generally sinks in water, and is fire resistant. IPE has many common and trade names including Brazilian Walnut, Bethabarra, Tajibo, Mataverde, Pau Lope, and other trademark names.

Iron Woods® IPE is indeed tough. IPE from Timber Holdings USA earns the top durability rating of 25 plus years in commercial applications like the Atlantic City boardwalk. Just think how long they will last for you. IPE's amazing performance can be attributed to

its incredible density. IPE weighs as much as 69 pounds per cubic foot. Compare this to domestic woods like Southern Pine at 35 pounds and Redwood at 28 pounds! Timber Holdings USA Iron Woods® IPE is five times harder. No other wood comes close to its superior strength.

IPE Characteristics:

- Fine to medium texture
- Very durable regarding rot resistance
- Excellent insect resistance
- Superb weathering characteristics
- Difficult to work with due to its hardness and density
- Clear grade
- Must be pre-drilled for fastening
- Class A fire rating
- Seven times harder and three times stronger than cedar
- One of the strongest woods in the world
- Environmentally friendly
- Low maintenance
- Time proven on many commercial projects

Custom Work Made Simple and Worry-Free

Need Custom Parts?

1. Call or Email

Contact Mr. Spindle at 800-487-9663 **OR**
Drop an email to info@mrspindle.com

2. Send Us a Picture

Send us a picture or drawing via email
OR
Ship an actual part to us

3. Approve Our Drawing

We will draw your part on a CAD
program **AND**
Email drawing for approval

4. We Make a Production Sample

After the drawing is approved, we will program our
CNC machine to manufacture one part

5. Approve Photo

Once the prototype is manufactured,
we will email you a picture of the part

6. We Manufacture Parts

Upon approval of the picture, we will manufacture
the remainder of the parts on order

7. We Ship Parts

Following completion, we will ship the products
to your door

Reorders? Call 1-800-487-9663

Need more parts down the road? Don't worry!
We keep the programs on file for future purchases.

Testimonials

"Well the spindles were delivered this week and they are just perfect! Not sure how you got such a perfect match but they are exactly what I was hoping for. Thank you!" — Erin Sibley

"I started searching online and came across Mr. Spindle. And here is where we get excited. Not only are the folks at Mr. Spindle pleasant to deal with and knowledgeable about their products, but also they are up to the task of reproducing my baluster at a VERY decent price." — Carlie
Read my blog @ <http://fairytown.blogspot.com/2012/04/near-perfect-match.html>

"Quality product and excellent finish provided in a timely fashion, superb communication through out the process! A+ — David Shapiro

"I have a house built in 1907, and I wanted something special for the front stairs and front porch. I sent Mr. Spindle photos of the balusters on my sleeping porch and they not only matched them, but did so at a considerably better price than I could buy non custom locally here on Long Island. I also wanted a special newel post and extra large hand rails, all of which were expertly done and delivered in a very reasonable time. If you are looking for a great product, at a fair price, and something you will be proud to have in or part of your home, this is the place to go!" — W. Russell Corker, Esq.

"Just want to say thanks for "embracing" the opportunity to do an odd size baluster for us. The customer was so thrilled to get what they specified and I now have a great new resource for turnings!" — Ann Miller

Out With The Old! In With The New!

**Mr. Spindle, Inc. — Your Source
For Custom Turned Products**



www.mrspindle.com

Manufactured Cedar, Treated, IPE and Redwood Decking Components



MrSpindle.com
1-800-487-9663

5936 53rd Ave S.
 Fargo, ND 58104



MrSpindle.com



info@MrSpindle.com



facebook.com/MisterSpindle

Mr. Spindle's Board Store

Cedar Boards

IPE Boards



Looking for high quality cedar and IPE boards that you can't find at your local lumber yard? We now offer Western Red Cedar boards in "clear mixed grain" or "clear vertical grain", along with high quality IPE lumber. Redwood is available in "clear mixed grain," "clear vertical grain," and "clear all heart vertical grain."

Cedar Boards

- 2x2's
- 1-1/2" x 1-1/2"
- 1-5/8" x 1-5/8"
- 1-3/4" x 1-3/4"
- 3x3's
- 2-1/4" x 2-1/4"
- Finger joint laminate
- 4x4's
- 3-1/2" x 3-1/2"
- 6x6's
- 5-1/4" x 5-1/4"
- Finger joint laminate
- 8x8's
- 7-7/8" x 7-7/8"
- Finger joint laminate
- 12x12's
- Finger joint laminate
- 2x4's
- Clear Western Red Cedar
- 3 Clear faces patio grade

Cedar and Redwood Boards

- 2x6's
- 2x8's
- 2x10's
- 2x12's
- 1x2's
- 1x4's
- 1x6's
- 1x8's
- 1x10's
- 1x12's

IPE Boards

- 2x2's 48" length
- 1-1/2" x 1-1/2" x 48"
- 1x6's
- 3/4" x 5-1/2"
- 2x6's
- 1-1/2" x 5-1/2"

Specialty Wood Sourcing

Sourcing fine grain, special request lumber for demanding architectural specs takes time, education, understanding and the right connections.

Bob Matthews has been chasing the better fiber since 1976. He has been to the mills, in the forests, on the islands, in the States, through Canada, as well as to other continents. He has attended multitudes of trade and manufacturing trade shows. He's even rubbed shoulders with the industry leaders and plant owners. Bob has been building a knowledge and network of fine grain lumber industry which can make your nightmare project turn into a profitable cakewalk.

The next time you're faced with a tough project, give Bob a call at 800-487-9663. Mr. Spindle can source the fiber, guarantee the quality, and do some amazing mill work, delivering your project on budget and on time — you'll look like the hero!

Some of the Tough Stuff We've Sourced in the Past:

- Clear All Heart, Vertical Grain California Redwood
- Clear Vertical Grain Doug Fir, any thickness or width
- Brazillian IPE Bullnose Stair Treads
- IPE Tongue and Groove Flooring
- Maple 3" x 14" Stair Treads
- Birds Eye Cedar Paneling
- Blue Stained Paneling
- Clear, All Heart, Vertical Grain Flush Joint Tongue and Groove
- Heart Free Timbers in Cedar and Douglas Fir
- Tight grain, old growth, clear Western Red Cedar
- Port Orford Cedar, Alaskan Yellow
- Pecky Cedar Boards